



SKID STEER LOADERS

R SERIES RADIAL-LIFT



1900R ▲ 2200R ▲ 2600R



IN THE BEGINNING

What began in the 19th century as an agricultural implement manufacturer has grown into a 21st century compact equipment powerhouse – Mustang Compact Equipment.

Known in the early years as the Owatonna Manufacturing Company, Mustang was among the first to make what is known today as the skid steer loader. Since that time, Mustang has combined old-school experience with innovative processes to offer one of the broadest lines of compact equipment available today.

MUSTANG. THE ORIGINAL WORKHORSE.



A NEW HERD IS IN THE STABLE



R SERIES



ENHANCED HYDRAULICS

Auxiliary flow, breakout force and cycle times have been improved for ultimate hydraulic function and attachment performance.



STATE OF THE ART ENGINES

Emissions-certified Tier IV engines combine superior power and high efficiency.



STYLE FROM THE STABLE

The new breed of high-capacity skid steer loaders features clean lines, a modern decal scheme and lowered rear towers.



SERVICE ACCESSIBILITY

Improved machine design allows easy access to service areas and maintenance check points.



INCREASE IN PERFORMANCE, NOT SIZE

Machine dimensions have been kept compact without sacrificing capacity or performance.



UPGRADED CAB DESIGN

Featuring a new ROPS structure, the operator's station offers increased visibility, comfort and technology.

SKID STEER SUPERIORS



▶ 1900R ▶ 2200R ▶ 2600R

Cutting-edge engineering and maximum performance features combine to bring you the new breed in the Mustang stable; the R Series skid steer loaders.

HIGH CAPACITY HEAVYWEIGHTS ▲ Full-size skid steers provide maximum performance and high tractive forces, coupled with impressive rated capacities from 1,900 lbs. (862 kg) on the 1900R to 2,780 lbs. (1261 kg) with the optional counterweight on the 2600R.

MODERN DESIGN ▲ New standard Level II ROPS/FOPS cab structure comes equipped with an integrated digital display, which has customizable views and provides engine regeneration information in real time.

HYDRAULIC POWER ▲ Increased auxiliary flow on high-flow configurations, as well as relocation of auxiliary controls to the joystick.



SPEED UP ▲ with maintenance-free, radial-piston drive motors with high start-up torque and maximum ground speeds up to 12.5 mph¹ (20 km/hr) for quick acceleration.



HEAVY-DUTY DRIVETRAIN ▲ is composed of durable components, including zero-maintenance axles. Adjustments can be made to the chain system from outside the unit.



SMOOTH RIDE ▲ is achieved with a longer wheelbase and low center-of-gravity. The HydraGlide™ ride control option provides stable operation over uneven surfaces.

LEADING THE HERD



COUNTERWEIGHTS ▲ are optional and boost the rated load capacity to 2,110 lbs. (957 kg) on the 1900R, 2,370 lbs. (1075 kg) on the 2200R, and an impressive 2,780 lbs. (1261 kg) on the 2600R.



OPERATE SAFELY ▲ with clear side and rear sight lines for full, expansive views for increased safety and precision placement. A roof grid section provides visibility to the bucket at full lift height.



QUICK SERVICE ▲ is made possible with a swing-open rear door, flip-up engine cover, and tiltable ROPS/FOPS that fully exposes maintenance points at the engine, battery, and filler caps.

¹ with two-speed drive option

1900R ▲ 2200R ▲ 2600R

CLIMB INTO THE SADDLE



EXCELLENT VISIBILITY ▲ A cab-forward design enhances the view to the bucket cutting edge from the operator's seat.



SIDE RESTRAINT BAR ▲ A side-folding restraint bar and adjustable arm rests provide personalized comfort and safe operation.



JOYSTICK CONTROLS ▲ Fully adjustable joystick control towers and an air-ride suspension seat option provide extreme comfort.



PRESSURIZED CAB ▲ An optional, pressurized, sealed cab enclosure provides a cleaner, quieter operating environment with heat, or heat and air-conditioning.



INSTRUMENTATION ▲ All instrumentation is conveniently located. In the upper-right corner is an integrated digital display with customizable views that provides all machine information, including engine regeneration. A troubleshooting indicator panel is located in the upper-left corner.



When you're in the cab, you take the reins.

The Mustang R Series Skid Steers offer a deluxe operator's station with the options needed to tailor the space to YOUR needs.





MULTI-TACH® SYSTEM ▲
standard on all models is this universal-style attachment mounting system compatible with most allied attachments.

POWER-A-TACH® SYSTEM ▲
optional on all models this system allows users to quickly install and remove attachments, leaving the seat only to connect auxiliary hydraulics.

TIME IS MONEY GET ATTACHED

With a wide variety of EDGE® attachments available from your dealer, the R Series Radial-Lift Skid Steer Loaders are easily transformed to meet the needs of your business.

Some of the skid loader attachments currently high in demand are:

- Augers
- Walk-Through Pallet Forks
- High-Reach Clippers
- High-Dump Buckets
- Rotary Brush Mowers
- ...and more!



EDGE

www.ceattachments.com



FEATURES	1900R	2200R	2600R
CONTROL PATTERNS			
Hand/Foot Controls - Pilot	●	●	●
Joystick Controls - Pilot	●	●	●
ENGINE			
Engine Auto-Shutdown System	○	○	○
Engine Block Heater	●	●	●
Turbo-Charged Engine		○	○
HYDRAULICS			
Auxiliary Hydraulics	○	○	○
High-Flow Auxiliary Hydraulics	●	●	●
Independent Hydraulic Reservoir	○	○	○
OPERATOR STATION			
Adjustable Arm Rests/Control Towers	○	○	○
Heating	●	●	●
Air-Conditioning	●	●	●
Suspension Seat – Mechanical	●	●	●
Air-Ride Seat	●	●	●
Cab Enclosure	●	●	●
Foot and Hand Throttles ¹	○	○	○
Full Instrumentation	○	○	○
Heating	●	●	●
Horn	○	○	○
Integral Access Plate (removable)	○	○	○
Operator Restraint Bar	○	○	○
ROPS/FOPS Level II Overhead Guard	○	○	○
Sound Reduction Material	○	○	○
Work Lights – Front and Rear	○	○	○
PERFORMANCE			
Multi-Tach® Attachment Mounting System	○	○	○
Power-A-Tach® Attachment Mounting System	●	●	●
Anti-Vandalism Protection	○	○	○
Back-Up Alarm	●	●	●
Parking Brake	○	○	○
Counterweight	●	●	●
Hydraglide™ Ride Control	●	●	●
Hydraloc™ Safety System	○	○	○
Hydrostatic Drive – Servo	○	○	○
Lift Arm Support Device	○	○	○
Self-Leveling Lift Action	●	●	●
Two-Speed Drive	●	●	●

○ STANDARD ● OPTIONAL

¹ Foot Throttle Only on Joystick Control Units

1900R ▲ 2200R ▲ 2600R

R SERIES SPECIFICATIONS		1900R	2200R	2600R
DIMENSIONS	A. Overall Operating Height – Fully Raised (mm)	158" (4013)	161" (4089)	161" (4089)
	B. Height to Hinge Pin – Fully Raised (mm)	120.5" (3061)	123" (3124)	123" (3124)
	C. Overall Height to Top of ROPS (mm)	80" (2032)	81" (2057)	81" (2057)
	D. Ground Clearance to Chassis (mm)	6.5" (165)	8" (203)	8" (203)
	E. Overall Length with Bucket (mm)	127" (3226) w/66" Bucket	136.5" (3467) w/70" Bucket	143" (3632) w/70" Bucket
	F. Overall Length without Bucket (mm)	94" (2388)	105" (2667)	111.5" (2832)
	G. Wheelbase (mm)	42" (1067)	43" (1092)	49.5" (1257)
	H. Dump Reach at Full Height (mm)	22.5" (572)	27" (686)	27" (686)
	I. Rollback at Ground	26°	28°	28°
	J. Dump Angle	42°	40°	40°
	K. Overall Width (mm)	66.5" / 64.5" ^A (1689 / 1638 ^A)	69.5" / 65.5" ^A (1765 / 1664 ^A)	69.5" / 65.5" ^A (1765 / 1664 ^A)
	L. Bucket Width (mm)	66" (1676)	70" (1778)	70" (1778)
	M. Clearance Circle – Rear (mm)	58.5" (1486)	60" (1524)	64" (1626)
	N. Clearance Circle – Front w/o Bucket (mm)	44.5" (1130)	52" (1321)	56" (1422)
	O. Clearance Circle – Front w/ Bucket (mm)	79" (2007)	87.5" (2223)	90" (2286)
	P. Seat to Ground Height (mm)	39" (991)	40" (1016)	40" (1016)
	Q. Rollback at Full Height	96°	95°	95°
	R. Dump Height (mm)	91" (2311)	94" (2388)	94" (2388)
S. Departure Angle	25°	25°	25°	
Standard Specification Tire Size	10.00x16.5 HD	12.00x16.5 HD	12.00x16.5 HD	
ENGINE	Make	Yanmar	Yanmar	Yanmar
	Model	4TNV98C-NMS Tier IV	4TNV98CT-NMS Tier IV	4TNV98CT-NMS Tier IV
	Gross Power (kW) @ 2500 rpm	69.3 hp (51.7)	72 hp (53.7)	72 hp (53.7)
	Net Power (kW) @ 2500 rpm	68.4 hp (51)	70.7 hp (52.7)	70.7 hp (52.7)
	Maximum Torque (Nm) @ rpm	173 ft.-lbs. (235) @ 1625	206 ft.-lbs. (279.3) @ 1625	206 ft.-lbs. (279.3) @ 1625
	Displacement (L)	202.6 cu.in. (3.3)	202.6 cu.in. (3.3)	202.6 cu.in. (3.3)
HYDRAULIC SYSTEM	Auxiliary Hydraulics – Standard (L/min)	18.5 gpm (70)	23.5 gpm (90)	23.5 gpm (90)
	High-Flow Auxiliary Hydraulics – Option (L/min)	31.5 gpm (119)	35 gpm (132.5)	35 gpm (132.5)
	Reservoir Capacity (L)	8 gal. (30.3)	8 gal. (30.3)	8 gal. (30.28)
ELECTRICAL SYSTEM	Battery (CCA)	12-volt (950)	12-volt (950)	12-volt (950)
	Starter (kW)	12-volt (3.0)	12-volt (3.0)	12-volt (3.0)
	Alternator	95-amp	95-amp	95-amp
CAPACITIES / WEIGHTS	Rated Operating Capacity ^a (kg)	1900 lbs. (862)	2200 lbs. (998)	2600 lbs. (1179)
	Rated Op. Capacity with Opt. Counterweight ^a (kg)	2110 lbs. (957)	2370 lbs. (1075)	2780 lbs. (1261)
	Fuel Tank (L)	16.5 gal. (62.5)	18 gal. (68.1)	21.5 gal. (81.4)
	Travel Speed – Maximum (km/hr)	7.5 mph (12.1)	8.0 mph (12.9)	8.0 mph (12.9)
	Travel Speed w/ Two-Speed Option - Maximum(km/hr)	12.5 mph (20.1)	11.9 mph (19.2)	11.9 mph (19.2)
	Operating Weight ^c – Approximate (kg)	8854 lbs. (3109)	7960 lbs. (3611)	8180 lbs. (3710)

A Narrow width with off-set wheel option

B Per SAE J818, SAE J732, and ISO 14397

C Weight of base unit with standard equipment, standard tires (heavy-duty flotation), standard dirt-construction bucket and 175 lb. (79 kg) operator.

ORIGINAL WORKHORSE

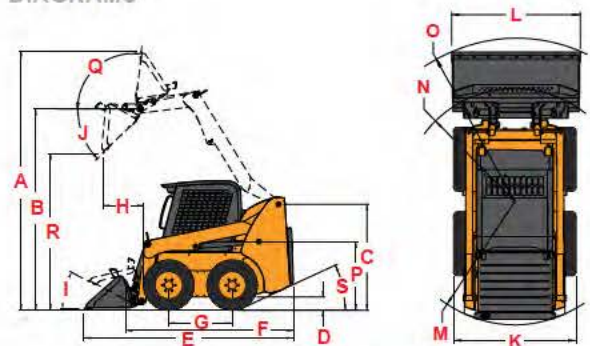
Mustang authorized dealers offer a full line of compact equipment, backed up by exceptional sales, service and parts support. To find your nearest authorized Mustang dealer, visit the Dealer Locator on mustangmfg.com

For more information on the R Series Skid Steer Loaders and the rest of the Mustang equipment line, call our hotline at

1-800-628-0491

or visit mustangmfg.com

REFERENCE DIAGRAMS



47 Rennie Dr, Mangere
Auckland 2022
0800 468 782
P +64 9 274 5059
F +64 9 274 0244
www.endraulic.co.nz

Endraulic
COMPACT EQUIPMENT

MUSTANG