

SWE 35UF

MINI-SIZED EXCAVATOR



SUNWARD INTELLIGENT EQUIPMENT CO.,LTD.

Add: Sunward Intelligent Industrial Park, Xingsha, Changsha, 410100, China.
Tel: (0086-731) 83572 828 E-mail: international@sunward.com.cn
Web: www.sunward.com.cn

SUNWARD EUROPE HEAVY INDUSTRY N.V

Add:Nijverheidsark 3,3580
Beringen,Belgium
Tel:(0032-011)434666
E_mail:eu@sunward.cc

Please read the manual book and maintenance book before operation, changes are periodically added to the information, and Sunward may change the products or services described in this book at any time without announcement. All rights of this manual book reserve to Sunward. SUNWARD Internal Use Only

Engine netpower:18.5kW
Machine weight:3850kg



Excellent precisely Operation



Zero-tail swing

The combination of zero-tail swing and arm deviation is designed for narrow and complicated working scenarios.

When it works near a wall foot, it can conduct the excavation directly, free from frequent movement and featuring flexible construction.

High performance Power Engine System and Hydraulic System

It is equipped with the KUBOTA engine in conformity with T4F and Stage V emission standards, providing strong power. It is equipped with a high-performance hydraulic system and relevant elements. The composite actions of boom, arm, bucket and swing motor are harmonic and smooth. It has the highest performance among all excavators with the same weight.



Flat ground operation

The flat ground operation is conducted more smoothly in combination of superstructure swing, boom deviation, dozer blade rising and falling, long and short arms, and collaborative operation between bucket and dozer blade.



Multi-functional auxiliary tools

This excavator is equipped with breaker pipeline (standard) and auxiliary pipeline and hydraulic quick hitch pipeline (optional) instead of hand labor to meet various construction requirements.



KUBOTA engine

It simultaneously meets the emission standards of Stage V (Europe), T4F (North America) and IV (China), and obtains relevant certificates. It can provide strong and environmentally friendly power.



Comfortable cab



Comfortable operation environment

Wider space and view are provided by enlarged front windscreen and sunroof. In addition, an air conditioner (standard configuration), a floating shock absorber seat, a touch radio and stereo acoustics are also provided to ensure a comfortable driving experience.

Safe driving space

A frame supported cab with Fops/Tops safety certificate and a top protective frame (standard configuration) are provided to effectively protect the safety of drivers. In addition, the standard configuration items also include hidden seat belt, safety hammer, pilot locking lever, swing parking brake, traveling parking brake, and engine safety start system.



Easy and convenient switch control
Electronic throttle rotating control and automatic idling functions



Advanced touch-panel monitor



self-diagnosis and maintain warning



working record



language



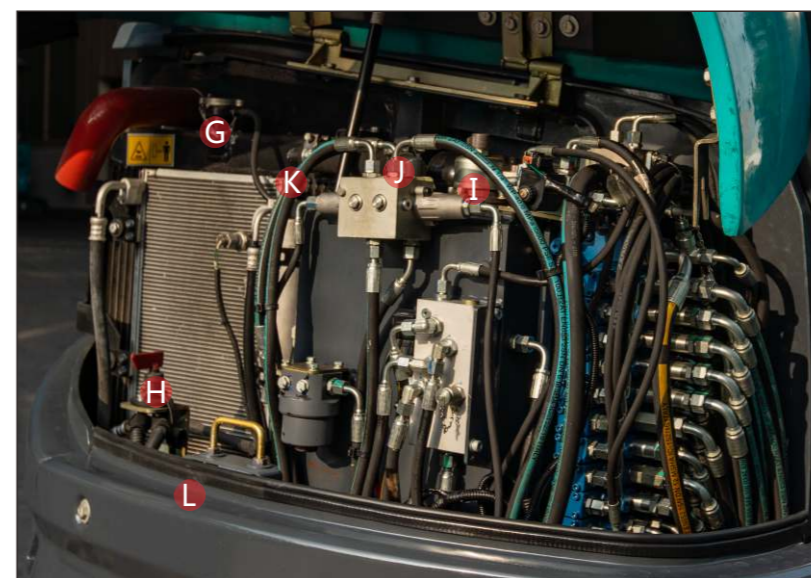
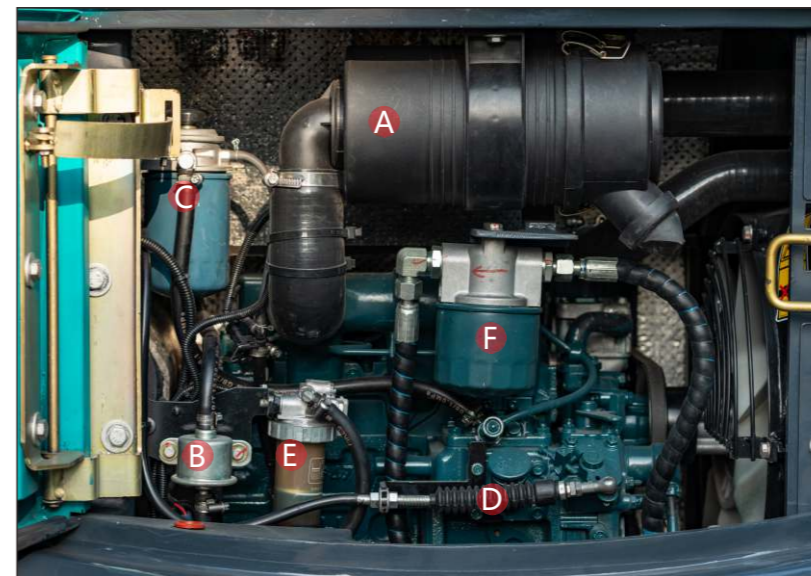
bluetooth/wifi

- 1 self-diagnosis
- 2 fuel level
- 3 engine speed
- 4 working voltage
- 5 working hours
- 6 water temperature
- 7 function selection



Easy service

The tail hood and right-hand hood can be opened completely to ensure easy and convenient (a) routine inspection and (b) filter maintenance and replacement. The design of multi-way valve is very conducive to maintenance and repair, free from removal of covering parts.



- | | | | |
|---------------------------------|----------------------------------|-------------------------------|------------------------------|
| A Air filter | B Electric fuel feed pump | C Fuel filter | D Engine oil tank cap |
| E Oil-water separator | F Engine oil filter | G Radiator tank cap | H Battery switch |
| I Hydraulic oil tank cap | J Oil return filter | K Auxiliary water tank | L Battery |
| M Fuel tank cap | N Electronic control box | | |



Steel protection cover



LED working light

Breaker and Auxiliary pipes

Hydraulic quick hitch pipes



Cast aluminium pedal



Transport connector



Cylinder protection plate

Easy service hose design



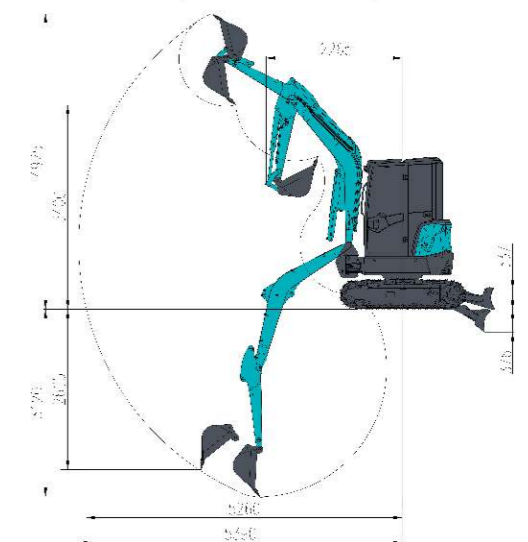
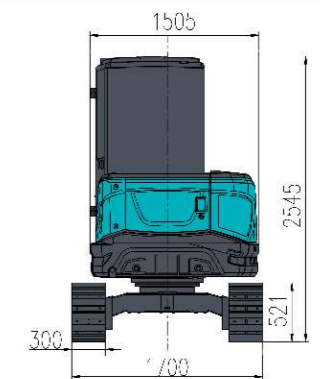
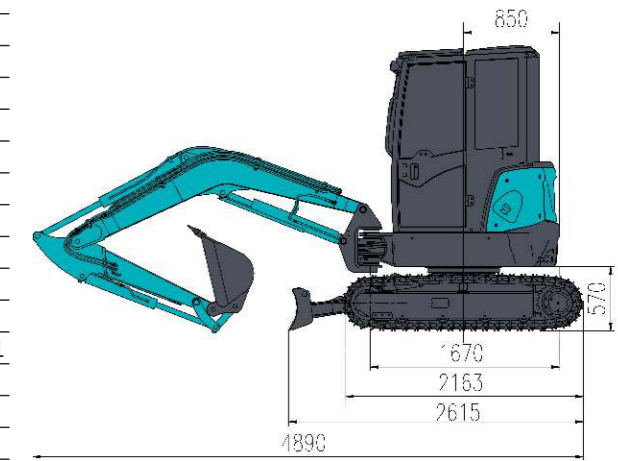
Equipment

The standard and optional equipment varies from country to country. For more information, please contact with us.

Engine		Cab	
Oil filter	●	AM/FM radio	●
Fuel filter	●	Cup holder	●
Oil-water separator	●	Suspension seat	●
Air filter	●	Air conditioning	●
Radiator	●	Engine safety start system	●
Alternator	●	Safety belt	●
Auxiliary water tank	●	FOPS/TOPS cab	●
Electronic fuel feed pump	●	FOPS/TOPS Canopy	○
Muffler	●	Windscreen washer and wiper	●
Hydraulic system		Left/right rearview mirror	
Hydraulic pilot control rod	●	Lighter	●
Slewing parking brake system	●	Safety device of front windscreen	○
Traveling parking brake system	●	Front working devices	
Dual-speed traveling system	●	300 mmbucket	○
Electro-hydraulic proportional lever	○	520mmbucket	●
Boom safety valve	○	600mmbucket	○
Arm safety valve	○	1200mmbucket	○
Dozer blade safety valve	○	Breaker pipeling	●
Light		Auxiliary pipeling	●
Boom light	●	Hydraulic quick hitch pipeline	●
Front cab light	●	Track	
Warning light	●	300mm rubber track	●
		300mm steel track	○

● Standard equipment ○ Optional equipment

SWE35UF Technical Parameters			
Type of cab	cabin/canopy		
Bucket capacity, std.	m ³	0.11	
Bucket width	mm	520	
Machine weight	kg	3850/3750	
Dimensions	Overall length	mm	4890
	Overall height	mm	2545
	Overall width	mm	1700
	Ground clearance	mm	270
Engine	Brand	KUBOTA	
	Model	D1703-E4B-SWD-1	
	Displacement	L	1.647
	Output	kW/rpm	18.5/2200
Working ranges	Max cutting height	mm	4925
	Max loading height	mm	3400
	Max digging depth	mm	3120
	Max vertical wall digging depth	mm	5260
	Max digging reach	mm	5390
	Boom swing angle (left/right)	°	72/44
	Front swing radius	mm	2263
	Tail swing radius	mm	850
	Max digging force (Arm)	kN	22.53
	Max digging force (Bucket)	kN	31.8
Track	Type	Rubber crawler	
	Track Width	mm	300
Undercarrige	Track Length	mm	2163
	Length to center of Rollers	mm	1670
	Lenhth to center of track	mm	1400
	Travelling speed (High/Low)	km/h	4.2/2.3
	Gradeability	deg	30
Swing speed	rpm	9	
Ground pressure	kpa	32.3	
Dozer size	Width	mm	1700
	Height	mm	366
	Lifting capacity(Height/Depth)	mm	337/376
Hydraulic pumps	Type	1 variable plunger pump	
	Displacement	L/min	1*88
	Hydraulic pressure	Mpa	24.5
Fuel tank capacity	L	40	
Hydraulic oil tank capacity	L	41	



Load Capacity:

Lift Point Height	Lift Point Radius(MAX)		Lift Point Radius(4.0m)		Lift Point Radius(3.5m)		Lift Point Radius(3.0m)		Lift Point Radius(2.5m)	
	Over-front(kg)	Over-side(kg)	Over-front(kg)	Over-side(kg)	Over-front(kg)	Over-side(kg)	Over-front(kg)	Over-side(kg)	Over-front(kg)	Over-side(kg)
3.0m	687.3*	382.5	-	-	-	-	-	-	-	-
2.0m	774.3*	292.5	817.8*	382.5	878.7*	472.5	1017.9*	645.0	1226.7*	847.5
1.0	809.1*	262.5	957*	337.5	1078.8*	427.5	1357.2*	555.0	1853.1*	757.5

Notes :

- Load with * is limited by hydraulic capacity and based on ISO 10567. Rated loads do not exceed 87% of hydraulic capacity.
- Load without * is limited by tipping load and based on ISO 10567. Rated loads do not exceed 75% of tipping capacity.
- The excavator bucket, hook, sling and other lifting accessories are not included in this table.

