

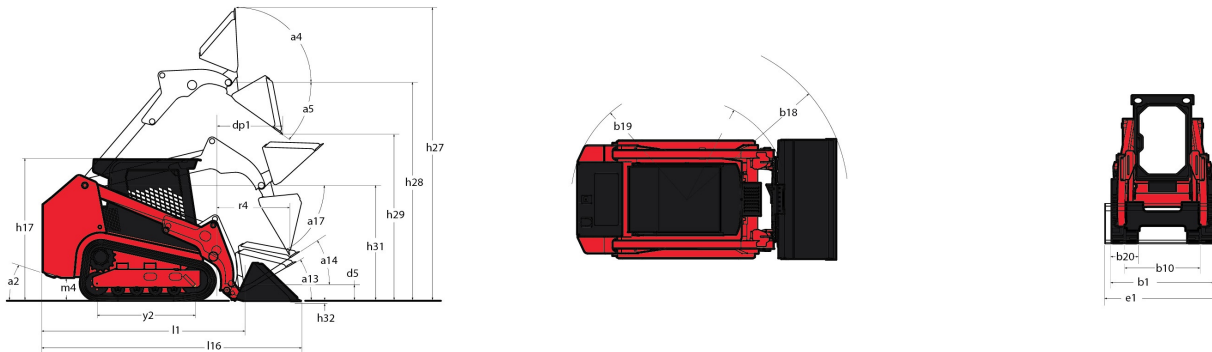
Technical sheet :

1850 RT



Capacities		Metric	Imperial
Max. capacity	Q	2398 kg	5287 lbs
Operating Weight		4128 kg	9101 lbs
Operating Capacity at 35% Tipping Load		839 kg	1850 lbs
Operating Capacity At 50% Tipping Load		1199 kg	2643 lbs
Tipping capacity		2398 kg	5287 lbs
Weight and dimensions			
Overall Operating Height - Fully Raised	h27	4267 mm	167.992 in
Height to Hinge Pin - Fully Raised	h28	3251 mm	127.992 in
Reach - Fully Raised	dp1	876 mm	34.488 in
Dump angle at full height	a5	40.2 °	40.2 °
Dump Height - Fully Raised	h29	2489 mm	97.992 in
Maximum Rollback Angle - Fully Raised	a4	102.5 °	102.5 °
Overall Height to Top of Rops	h17	2103 mm	82.795 in
Overall length with bucket	l16	3754 mm	147.795 in
Overall Length without Bucket	l1	2921 mm	115 in
Specified Height	h31	1715 mm	67.52 in
Reach at Specified Height	r4	790 mm	31.102 in
Dump angle at specified height	a17	66.8 °	66.8 °
Maximum Rollback Angle at Ground	a13	30 °	30 °
Carry Position	d5	208 mm	8.189 in
Maximum Rollback Angle at Carry Position	a14	31.6 °	31.6 °
Digging Position	h32	23 mm	0.906 in
Angle of Departure with STD Counterweight		30.4 °	30.4 °
Ground clearance	m4	318 mm	1043 ft 4 in
Track gauge	b10	1313 mm	51.693 in
Track Shoe Width	b20	320 mm	12.598 in
Crawler base	y2	1392 mm	54.803 in
Overall width less bucket	b1	1636 mm	64.409 in
Bucket Width	e1	1674 mm	65.906 in
Clearance Radius - Front with Bucket		2322 mm	91.417 in
Clearance Circle - Rear	wa1	1666 mm	65.591 in
Maximum rollback at specified height		66.8 °	66.8 °
Angle of Approach		90 °	90 °
Grouser Height		25 mm	0.984 in
Track Type / Track Rollers / Roller Type		Rubber / 4 / Steel	Rubber / 4 / Steel
Performances			
Ground Speed - Single Speed		9.5 km/h	5.9 mph
Ground Speed - Two Speed		14.2 km/h	8.8 mph
Drawbar Pull/Tractive Effort		4635 kg	10218 lbs
Bucket Breakout - Tilt Cylinder		2429 kg	5355 lbs
Bucket Breakout - Lift Cylinder		2275 kg	5016 lbs
Engine			
Engine brand		Yanmar	Yanmar
Engine model		4TNV98C-NMSL	4TNV98C-NMSL
Motor Type		Axial Piston with Planetary Gear Box Reduction	Axial Piston with Planetary Gear Box Reduction
Gross Power (kW) / Gross Power		51.7 kW / 2500 tr/min	51.7 kW / 2500 tr/min
Net Power (kW) / Net Power		51 kW / 2500 tr/min	51 kW / 2500 tr/min
Max. torque		241 Nm/m	241 Nm/m
Battery		12 V	12 V
Cold Cranking Amps at Temperature (CCA)		850	850
Alternator - Voltage / Ampere		14 V / 100 A	14 V / 100 A
Tank capacities			
Oil Pan Capacity		10.40 l	2.29 gal
Hydraulic tank capacity		41.60 l	9.15 gal
Fuel tank		91 l	20.02 gal
Coolant Capacity		13.30 l	2.93 gal
Displacement / Number of cylinders		3.30 l / 4	0.73 gal / 4
Miscellaneous			
Ground Pressure		0 Bar	0 PSI

Dimensional drawing



Equipment

Selectable Self-Leveling Hydraulic Lift Action 4	Optional
Lifting function	
All-Tach® Attachment Mounting System	Standard
Auxiliary Hydraulics	Standard
Electronic Attachment Control - 14-Pin Connector	Optional
High-Flow Auxiliary Hydraulics	Optional
IdealTrax™ Automatic Track Tensioning System	Standard
Power-A-Tach® Attachment Mounting System	Optional
Motorization/Power	
Combination Radiator & Hydraulic Oil Cooler	Standard
Dual-Element Air Cleaner with Indicator	Standard
Engine Auto-Shutdown System	Standard
Glowplugs Starts Assist	Standard
Two-Speed Hydrostatic Drive System	Standard
Operator station	
Air suspension seat	Optional
Foot Throttle	Standard
Full-Suspension Seat	Standard
IdealAccess™ Fold-Up Door	Optional
Multi-Function Function Display Screen	Standard
Pressurized Cab Enclosure with A/C	Optional
Rearview Camera	Standard
ROPS/FOPS Level II Overhead Guard	Standard
Sliding Side Windows	Standard
Swing-out Cab Door	Standard
Pneumatics	
Rubber Track Undercarriage System	Standard
Single Flange Front/Dual Flange Rear Idlers	Standard
Safety	
Anti-Vandalism Lock Provisions	Standard
Back-Up Alarm	Standard
Easy Manager	Standard
Engine Alert System with Error Display	Standard
Mechanical Lift Cylinder Lock	Standard
Tilt-out Foot Pod	Standard
Secondary functions	

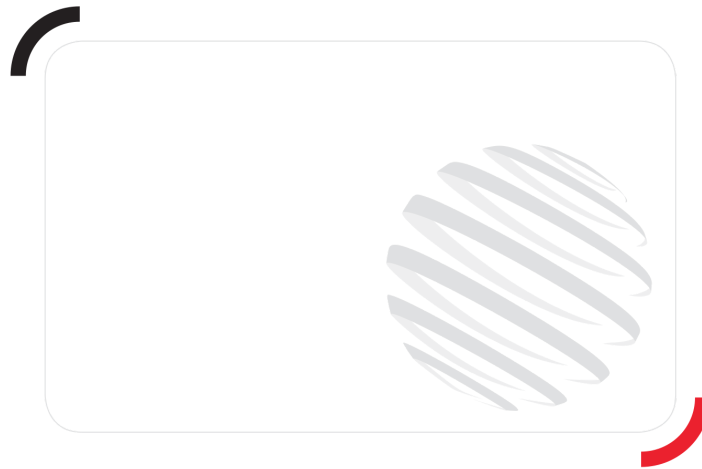
Secondary functions

Counterweight

Dedicated Undercarriage

Standard

Standard



Siège Social

430 rue de l'Aubinière - 44150 Ancenis Cedex - France

Tel: +33(0)2 40 09 10 11 - Fax: +33 (0)2 40 09 10 97

www.manitou.com



This brochure describes versions and configuration options for Manitou products which may be fitted with different equipment. The equipment described in this brochure may be standard, optional or not available depending on version. Manitou reserves the right to change the specifications shown and described at any time and without prior warning. The manufacturer is not liable for the specifications given. For more information, contact your Manitou dealer. Non-contractual document. Product descriptions may differ from actual products. List of specifications is not comprehensive. The logos and visual identity of the company are the property of Manitou and may not be used without authorisation. All rights reserved. The photos and diagrams contained in this brochure are provided for information only.

MANITOU BF SA - Limited company with board of directors - Share capital: 39,668,399 euros - 857 802 508
RCS Nantes