

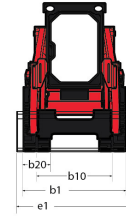
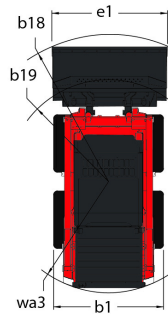
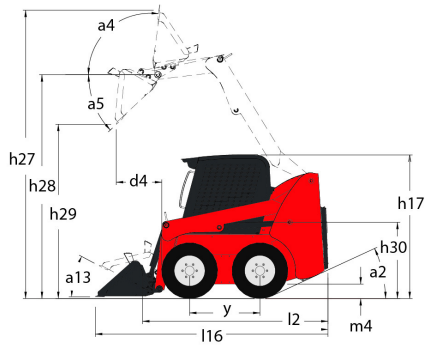
Technical sheet :

1350 R NXT2



Capacities		Metric	Imperial
Rated Operating Capacity		612 kg	1349 lbs
Rated Operating Capacity with Optional Counterweight		680 kg	1499 lbs
Unladen weight		2384 kg	5256 lbs
Weight and dimensions			
Overall Operating Height - Fully Raised	h27	3670 mm	144.488 in
Height to Hinge Pin - Fully Raised	h28	2794 mm	110 in
Overall Height to Top of Rops	h17	1930 mm	75.984 in
Dump angle at full height	a5	40 °	40 °
Dump height	h29	2123 mm	83.583 in
Overall length with bucket	l16	3076 mm	121.102 in
Dump reach at full height		584 mm	22.992 in
Rollback at ground		28 °	28 °
Seat to ground height	h30	871 mm	34.291 in
Wheelbase	y	950 mm	37.402 in
Overall width less bucket	b1	1364 mm	53.701 in
Bucket Width	e1	1372 mm	54.016 in
Ground clearance	m4	203 mm	666 ft
Overall length - Less Bucket	l2	2360 mm	92.913 in
Departure angle	a2	25 °	25 °
Clearance Radius - Front with Bucket		1842 mm	72.52 in
Clearance Circle - Rear	wa1	1372 mm	54.016 in
Performances			
Travel speed (unladen)		12.9 km/h	8 mph
Wheels			
Standard tyres		10.00x16.5 HD	10.00x16.5 HD
Engine			
Engine brand		Yanmar	Yanmar
Engine model		4TNV88C-KMS	4TNV88C-KMS
Gross Power (kW)		34.3 kW	34.3 kW
Max. torque / Engine rotation		146.2 Nm/m / 2800 tr/min	146.2 Nm/m / 2800 tr/min
Battery		12 V	12 V
Starter (kW)		2.3 kW	2.3 kW
Hydraulics			
Auxiliary hydraulics		63.6 l/min	63.6 l/min
Auxiliary Hydraulic Pressure		207 Bar	14 PSI
Tank capacities			
Fuel tank		59.40 l	13.07 gal
Reservoir Capacity Hydraulics		34.80 l	7.65 gal
Displacement		2.20 l	0.48 gal
Coolant Capacity		7.90 l	1.74 gal
Noise and vibration			
Environmental noise (LwA)		82 dB(A)	82 dB(A)
Noise at driving position (LpA)		100 dB(A)	100 dB(A)
Whole-Body Vibration (ISO 2631-1)		<0.81 m/s ²	<0.81 m/s ²
Vibration to whole hand/arm		<1.9 m/s ²	<1.9 m/s ²

Dimensional drawing





Siège Social

430 rue de l'Aubinière - 44150 Ancenis Cedex - France

Tel: +33(0)2 40 09 10 11 - Fax: +33 (0)2 40 09 10 97

www.manitou.com



This brochure describes versions and configuration options for Manitou products which may be fitted with different equipment. The equipment described in this brochure may be standard, optional or not available depending on version. Manitou reserves the right to change the specifications shown and described at any time and without prior warning. The manufacturer is not liable for the specifications given. For more information, contact your Manitou dealer. Non-contractual document. Product descriptions may differ from actual products. List of specifications is not comprehensive. The logos and visual identity of the company are the property of Manitou and may not be used without authorisation. All rights reserved. The photos and diagrams contained in this brochure are provided for information only.

MANITOU BF SA - Limited company with board of directors - Share capital: 39,668,399 euros - 857 802 508
RCS Nantes