

Technical sheet :

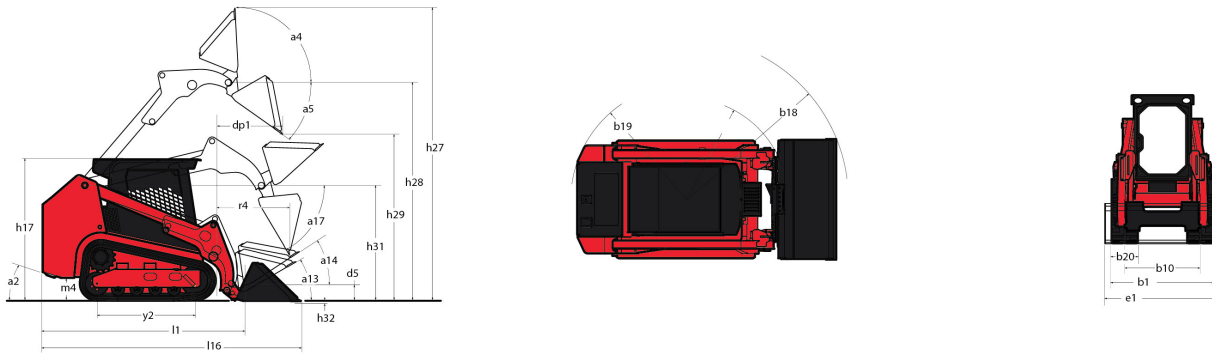
# **1350 RT**

---



| Capacities                                |     | Metric                | Imperial              |
|---|-----|-----------------------|-----------------------|
| Max. capacity                             | Q   | 1750 kg               | 3858 lbs              |
| Operating Weight                          |     | 2953 kg               | 6510 lbs              |
| Operating Capacity at 35% Tipping Load    |     | 612 kg                | 1349 lbs              |
| Operating Capacity At 50% Tipping Load    |     | 875 kg                | 1929 lbs              |
| Tipping capacity                          |     | 1750 kg               | 3858 lbs              |
| Weight and dimensions                     |     |                       |                       |
| Overall Operating Height - Fully Raised   | h27 | 3670 mm               | 144.488 in            |
| Height to Hinge Pin - Fully Raised        | h28 | 2794 mm               | 110 in                |
| Reach - Fully Raised                      | dp1 | 592 mm                | 23.307 in             |
| Dump angle at full height                 | a5  | 40 °                  | 40 °                  |
| Dump Height - Fully Raised                | h29 | 2123 mm               | 83.583 in             |
| Maximum Rollback Angle - Fully Raised     | a4  | 98 °                  | 98 °                  |
| Overall Height to Top of Rops             | h17 | 1930 mm               | 75.984 in             |
| Overall length with bucket                | l16 | 3076 mm               | 121.102 in            |
| Overall Length without Bucket             | l1  | 2360 mm               | 92.913 in             |
| Specified Height                          | h31 | 1494 mm               | 58.819 in             |
| Reach at Specified Height                 | r4  | 771 mm                | 30.354 in             |
| Dump angle at specified height            | a17 | 75 °                  | 75 °                  |
| Maximum Rollback Angle at Ground          | a13 | 28 °                  | 28 °                  |
| Carry Position                            | d5  | 165 mm                | 6.496 in              |
| Maximum Rollback Angle at Carry Position  | a14 | 28 °                  | 28 °                  |
| Digging Position                          | h32 | 18 mm                 | 0.709 in              |
| Angle of Departure with STD Counterweight |     | 28 °                  | 28 °                  |
| Ground clearance                          | m4  | 213 mm                | 8.386 in              |
| Track gauge                               | b10 | 1148 mm               | 45.197 in             |
| Track Shoe Width                          | b20 | 300 mm                | 11.811 in             |
| Crawler base                              | y2  | 1168 mm               | 45.984 in             |
| Overall width less bucket                 | b1  | 1448 mm               | 57.008 in             |
| Bucket Width                              | e1  | 1524 mm               | 60 in                 |
| Clearance Radius - Front with Bucket      |     | 1918 mm               | 75.512 in             |
| Clearance Circle - Rear                   | wa1 | 1440 mm               | 56.693 in             |
| Track Type / Track Rollers / Roller Type  |     | Rubber / 4 / Steel    | Rubber / 4 / Steel    |
| Performances                              |     |                       |                       |
| Ground Speed - Single Speed               |     | 10 km/h               | 6.2 mph               |
| Drawbar Pull/Tractive Effort              |     | 3248 kg               | 7161 lbs              |
| Bucket Breakout - Tilt Cylinder           |     | 1588 kg               | 3501 lbs              |
| Bucket Breakout - Lift Cylinder           |     | 1692 kg               | 3730 lbs              |
| Engine                                    |     |                       |                       |
| Engine brand                              |     | Yanmar                | Yanmar                |
| Engine model                              |     | 4TNV88C-KMS           | 4TNV88C-KMS           |
| Motor Type                                |     | Radial Piston         | Radial Piston         |
| Gross Power (kW) / Gross Power            |     | 34.3 kW / 2500 tr/min | 34.3 kW / 2500 tr/min |
| Battery                                   |     | 12 V                  | 12 V                  |
| Cold Cranking Amps at Temperature (CCA)   |     | 800                   | 800                   |
| Alternator - Voltage / Ampere             |     | 12 V / 100 A          | 12 V / 100 A          |
| Hydraulics                                |     |                       |                       |
| Auxiliary hydraulics                      |     | 63.6 l/min            | 63.6 l/min            |
| Tank capacities                           |     |                       |                       |
| Oil Pan Capacity                          |     | 6.40 l                | 1.41 gal              |
| Hydraulic tank capacity                   |     | 34.80 l               | 7.65 gal              |
| Fuel tank                                 |     | 59.40 l               | 13.07 gal             |
| Displacement / Number of cylinders        |     | 7.90 l / 4            | 1.74 gal / 4          |

# Dimensional drawing



# Equipment

|  |          |
|--|----------|
| ---  |          |
| Selectable Self-Leveling Hydraulic Lift Action 4 | Optional |
| <b>Lifting function</b>                          |          |
| All-Tach® Attachment Mounting System             | Standard |
| Auxiliary Hydraulics                             | Standard |
| IdealTrax™ Automatic Track Tensioning System     | Standard |
| <b>Lighting</b>                                  |          |
| Beacon   | Optional |
| Road Lights                                      | Optional |
| <b>Motorization/Power</b>                        |          |
| Combination Radiator & Hydraulic Oil Cooler      | Standard |
| Dual-Element Air Cleaner with Indicator          | Standard |
| Engine Auto-Shutdown System                      | Optional |
| Engine Block Heater                              | Optional |
| Glowplugs Starts Assist                          | Standard |
| <b>Operator station</b>                          |          |
| Bluetooth car radio                              | Optional |
| Foot Throttle                                    | Standard |
| Full-Suspension Seat                             | Optional |
| Joystick controls                                | Standard |
| Multi-Function Function Display Screen           | Standard |
| ROPS/FOPS Level II Overhead Guard                | Standard |
| Sliding Side Windows                             | Optional |
| Swing-out Cab Door                               | Optional |
| <b>Pneumatics</b>                                |          |
| Rubber Track Undercarriage System                | Standard |
| <b>Safety</b>                                    |          |
| 4 point lift                                     | Optional |
| Anti-Vandalism Protection                        | Standard |
| Back-Up Alarm                                    | Standard |
| Engine Alert System with Error Display           | Standard |
| Mechanical Lift Cylinder Lock                    | Standard |
| <b>Secondary functions</b>                       |          |
| Counterweight                                    | Optional |
| Dedicated Undercarriage                          | Standard |



Siège Social

430 rue de l'Aubinière - 44150 Ancenis Cedex - France

Tel: +33(0)2 40 09 10 11 - Fax: +33 (0)2 40 09 10 97

[www.manitou.com](http://www.manitou.com)



This brochure describes versions and configuration options for Manitou products which may be fitted with different equipment. The equipment described in this brochure may be standard, optional or not available depending on version. Manitou reserves the right to change the specifications shown and described at any time and without prior warning. The manufacturer is not liable for the specifications given. For more information, contact your Manitou dealer. Non-contractual document. Product descriptions may differ from actual products. List of specifications is not comprehensive. The logos and visual identity of the company are the property of Manitou and may not be used without authorisation. All rights reserved. The photos and diagrams contained in this brochure are provided for information only.

MANITOU BF SA - Limited company with board of directors - Share capital: 39,668,399 euros - 857 802 508  
RCS Nantes