

Technical sheet :

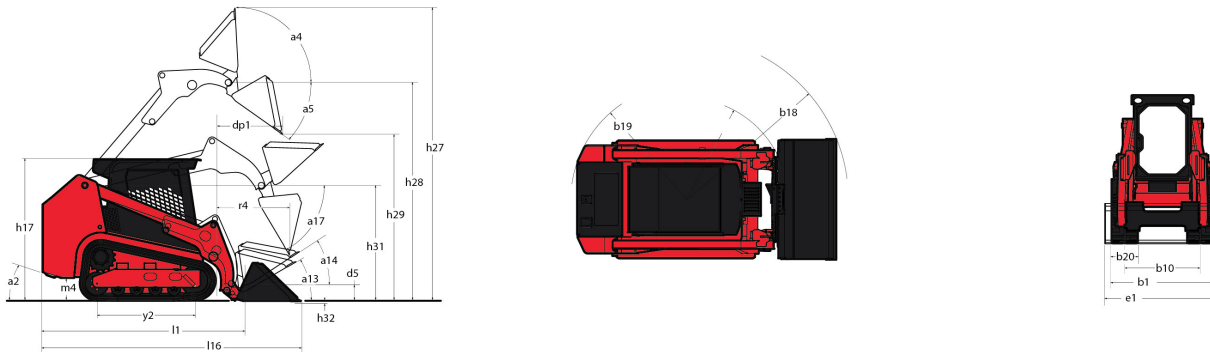
1050 RT



Capacities		Metric	Imperial
Max. capacity	Q	1361 kg	3000 lbs
Operating Weight		2141 kg	4720 lbs
Unladen weight		1928 kg	4251 lbs
Operating Capacity at 35% Tipping Load		476 kg	1049 lbs
Operating Capacity At 50% Tipping Load		680 kg	1499 lbs
Tipping capacity		1361 kg	3000 lbs
Weight and dimensions			
Overall Operating Height - Fully Raised	h27	3650 mm	143.701 in
Height to Hinge Pin - Fully Raised	h28	2769 mm	109.016 in
Reach - Fully Raised	dp1	673.1 mm	26.5 in
Dump angle at full height	a5	38 °	38 °
Dump Height - Fully Raised	h29	2134 mm	84.016 in
Maximum Rollback Angle - Fully Raised	a4	102 °	102 °
Overall Height to Top of Rops	h17	1816 mm	71.496 in
Overall length with bucket	l16	2985 mm	117.52 in
Overall Length without Bucket	l1	2258 mm	88.898 in
Specified Height	h31	1466 mm	57.717 in
Reach at Specified Height	r4	991 mm	39.016 in
Dump angle at specified height	a17	72 °	72 °
Maximum Rollback Angle at Ground	a13	32 °	32 °
Carry Position	d5	127 mm	5 in
Maximum Rollback Angle at Carry Position	a14	32 °	32 °
Digging Position	h32	0 mm	0 in
Angle of Departure with STD Counterweight		35 °	35 °
Ground clearance	m4	191 mm	626 ft 8 in
Track gauge	b10	1039 mm	40.906 in
Track Shoe Width	b20	250 mm	9.843 in
Crawler base	y2	1283 mm	50.512 in
Overall width less bucket	b1	1290 mm	50.787 in
Bucket Width	e1	1372 mm	54.016 in
Clearance Radius - Front with Bucket		1854 mm	72.992 in
Clearance Circle - Rear	wa1	1290 mm	50.787 in
Maximum rollback at specified height		72 °	72 °
Angle of Approach		90 °	90 °
Grouser Height		25 mm	0.984 in
Track Type / Track Rollers / Roller Type		Rubber / 4 / Steel	Rubber / 4 / Steel
Performances			
Ground Speed - Single Speed		10.1 km/h	6.3 mph
Drawbar Pull/Tractive Effort		1996 kg	4400 lbs
Bucket Breakout - Tilt Cylinder		1346 kg	2967 lbs
Bucket Breakout - Lift Cylinder		1376 kg	3034 lbs
Engine			
Engine brand		Yanmar	Yanmar
Engine model		3TNV88C-KMS	3TNV88C-KMS
Motor Type		Radial Piston	Radial Piston
Gross Power (kW) / Gross Power		25.5 kW / 2800 tr/min	25.5 kW / 2800 tr/min
Net Power (kW) / Net Power		23.7 kW / 2800 tr/min	23.7 kW / 2800 tr/min
Max. torque		109.4 Nm/m	109.4 Nm/m
Battery		12 V	12 V
Cold Cranking Amps at Temperature (CCA)		800	800
Alternator - Voltage / Ampere		12 V / 55 A	12 V / 55 A
Hydraulics			
Auxiliary hydraulics		55 l/min	55 l/min
Tank capacities			
Oil Pan Capacity		5.87 l	1.29 gal
Hydraulic tank capacity		30 l	6.60 gal
Fuel tank		36 l	7.92 gal
Coolant Capacity		6.62 l	1.46 gal
Displacement / Number of cylinders		1.64 l / 3	0.36 gal / 3
Noise and vibration			

Noise and vibration			
Environmental noise (LwA)		101 dB(A)	101 dB(A)
Noise at driving position (LpA)		85.8 dB(A)	85.8 dB(A)
Miscellaneous			
Ground Pressure		0 Bar	0 PSI

Dimensional drawing



Equipment

Selectable Self-Leveling Hydraulic Lift Action 4	Optional
Lifting function	
All-Tach® Attachment Mounting System	Standard
Auxiliary Hydraulics	Standard
IdealTrax™ Automatic Track Tensioning System	Standard
Motorization/Power	
Combination Radiator & Hydraulic Oil Cooler	Standard
Dual-Element Air Cleaner with Indicator	Standard
Engine Auto-Shutdown System	Optional
Glowplugs Starts Assist	Standard
Operator station	
Foot Throttle	Standard
Full-Suspension Seat	Optional
Multi-Function Function Display Screen	Standard
ROPS/FOPS Level II Overhead Guard	Standard
Sliding Side Windows	Standard
Swing-out Cab Door	Standard
Pneumatics	
Rubber Track Undercarriage System	Standard
Safety	
Anti-Vandalism Protection	Standard
Back-Up Alarm	Standard
Easy Manager	Standard
Engine Alert System with Error Display	Standard
Mechanical Lift Cylinder Lock	Standard
Secondary functions	
Counterweight	Standard
Dedicated Undercarriage	Standard



Siège Social
430 rue de l'Aubinière - 44150 Ancenis Cedex - France
Tel: +33(0)2 40 09 10 11 - Fax: +33 (0)2 40 09 10 97
www.manitou.com



This brochure describes versions and configuration options for Manitou products which may be fitted with different equipment. The equipment described in this brochure may be standard, optional or not available depending on version. Manitou reserves the right to change the specifications shown and described at any time and without prior warning. The manufacturer is not liable for the specifications given. For more information, contact your Manitou dealer. Non-contractual document. Product descriptions may differ from actual products. List of specifications is not comprehensive. The logos and visual identity of the company are the property of Manitou and may not be used without authorisation. All rights reserved. The photos and diagrams contained in this brochure are provided for information only.

MANITOU BF SA - Limited company with board of directors - Share capital: 39,668,399 euros - 857 802 508
RCS Nantes