

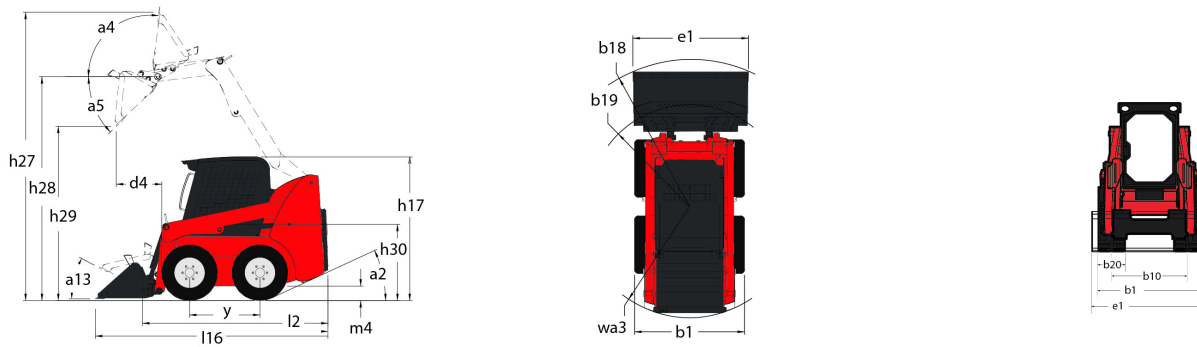
Technical sheet :

1050 R



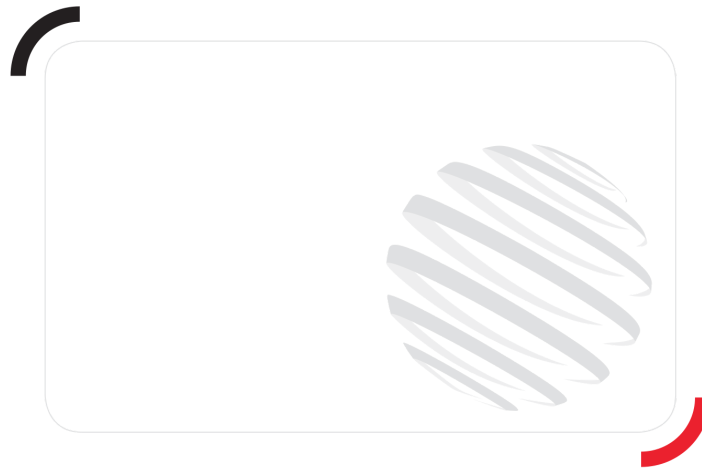
Capacities		Metric	Imperial
Rated Operating Capacity		476 kg	1049 lbs
Rated Operating Capacity with Optional Counterweight		533 kg	1175 lbs
Unladen weight		1905 kg	4200 lbs
Weight and dimensions			
Overall Operating Height - Fully Raised	h27	3546 mm	139.606 in
Height to Hinge Pin - Fully Raised	h28	2746 mm	108.11 in
Overall Height to Top of Rops	h17	1786 mm	70.315 in
Dump angle at full height	a5	42 °	42 °
Dump height	h29	2146 mm	84.488 in
Overall length with bucket	l16	2896 mm	114.016 in
Dump reach at full height		579 mm	22.795 in
Rollback at ground		29 °	29 °
Seat to ground height	h30	828 mm	32.598 in
Wheelbase	y	876 mm	34.488 in
Overall width less bucket	b1	1229 mm	48.386 in
Bucket Width	e1	1404 mm	55.276 in
Ground clearance	m4	152 mm	5.984 in
Overall length - Less Bucket	l2	2258 mm	88.898 in
Departure angle	a2	26 °	26 °
Clearance Radius - Front with Bucket		1763 mm	69.409 in
Clearance Circle - Rear	wa1	1374 mm	54.094 in
Performances			
Travel speed (unladen)		9.5 km/h	5.9 mph
Wheels			
Standard tyres		27x8.5x15 HD	27x8.5x15 HD
Engine			
Engine brand		Yanmar	Yanmar
Engine model		3TNV88C-KMS	3TNV88C-KMS
Gross Power (kW)		25.5 kW	25.5 kW
Net Power (kW)		24.7 kW	24.7 kW
Max. torque / Engine rotation		108 Nm/m / 2800 tr/min	108 Nm/m / 2800 tr/min
Battery		12 V	12 V
Starter (kW)		2.3 kW	2.3 kW
Hydraulics			
Auxiliary hydraulics		55.1 l/min	55.1 l/min
Auxiliary Hydraulic Pressure		190 Bar	13 PSI
Tank capacities			
Fuel tank		39.40 l	8.67 gal
Reservoir Capacity Hydraulics		30.30 l	6.67 gal
Displacement		1.60 l	0.35 gal
Noise and vibration			
Environmental noise (LwA)		101 dB(A)	101 dB(A)
Noise at driving position (LpA)		80 dB(A)	80 dB(A)
Whole-Body Vibration (ISO 2631-1)		<0.81 m/s ²	<0.81 m/s ²
Vibration to whole hand/arm		<0.93 m/s ²	<0.93 m/s ²

Dimensional drawing



Equipment

Hydrostatic Drive - Servo	Standard
Integral Access Plate (removable)	Standard
Selectable Self-Leveling Hydraulic Lift Action 4	Optional
Lifting function	
All-Tach® Attachment Mounting System	Standard
Auxiliary Hydraulics	Standard
Lighting	
Work Lights - Front and Rear	Standard
Motorization/Power	
Engine Block Heater	Standard
Operator station	
Cab Enclosure	Optional
Foot and Hand Throttles 2	Standard
Gehl T-Bar Controls	Standard
Hand/Foot Controls	Standard
Heating	Optional
High-Back Adjustable Seat	Standard
Horn	Optional
ROPS/FOPS Level II Overhead Guard	Standard
Sound Reduction Material	Standard
Suspension Seat - Mechanical	Optional
Safety	
Anti-Vandalism Protection	Standard
Back-Up Alarm	Optional
Brake Control (Auto / Manual)	Standard
Hydraloc™ Safety System	Standard
Lift Arm Support Device	Standard
Operator Restraint Bar	Standard
Secondary functions	
Counterweight	Optional
Full Instrumentation	Standard



Siège Social

430 rue de l'Aubinière - 44150 Ancenis Cedex - France

Tel: +33(0)2 40 09 10 11 - Fax: +33 (0)2 40 09 10 97

www.manitou.com



This brochure describes versions and configuration options for Manitou products which may be fitted with different equipment. The equipment described in this brochure may be standard, optional or not available depending on version. Manitou reserves the right to change the specifications shown and described at any time and without prior warning. The manufacturer is not liable for the specifications given. For more information, contact your Manitou dealer. Non-contractual document. Product descriptions may differ from actual products. List of specifications is not comprehensive. The logos and visual identity of the company are the property of Manitou and may not be used without authorisation. All rights reserved. The photos and diagrams contained in this brochure are provided for information only.

MANITOU BF SA - Limited company with board of directors - Share capital: 39,668,399 euros - 857 802 508
RCS Nantes