



## Excavator SWE 150B

Operating Weight	14.4t
Engine Power	92kW/2000rpm
Engine Brand	ISUZU
Standard Bucket Capacity	0.56m <sup>3</sup>
Max. Digging Depth	5.64m



### Excavator SWE150B

#### Parameter

##### ENGINE

Brand	ISUZU
Model	AI-4JJ1XYSS-01S(EU Stage IIIA)
Type	4-cylinder 4-stroke water cooled
Displacement	2.999L
Power	92kW/2000rpm

##### ELECTRIC SYSTEM

Nominal Voltage	24V
Batteries	2×12V
Alternator	24V-50A
Starter	24V-4kW

##### DRIVE

Max. Travel Speed (2nd/1st)	5.5/3.4 km/h
Gradeability	35°
Max. Traction	115kN

##### UNDERCARRIAGE

Undercarriage Width	2600mm
Shoe Width	2487mm
Tumbler Distance	2508mm
Track Length	3736mm
Track Height	600mm

##### DIMENSIONS

Counterweight Clearance	916mm
Tail Swing Radius	2350mm
Shipping Length	7820mm
Transport Width	2600mm
Shipping Height	2823mm

##### WORKING RANGES

Max. Cutting Height	8630mm
Max. Loading Height	6130mm
Max. Digging Depth	5640mm
Max. Vertical Wall Digging Depth	4540mm
Max. Digging Reach	8355mm
Max. Reach at Ground Level	8230mm
Bucket Digging Force	97.8kN
Stick Digging Force	72.4kN
Ground Pressure	36kPa
Swing Speed	12.1rpm

##### CAPACITY

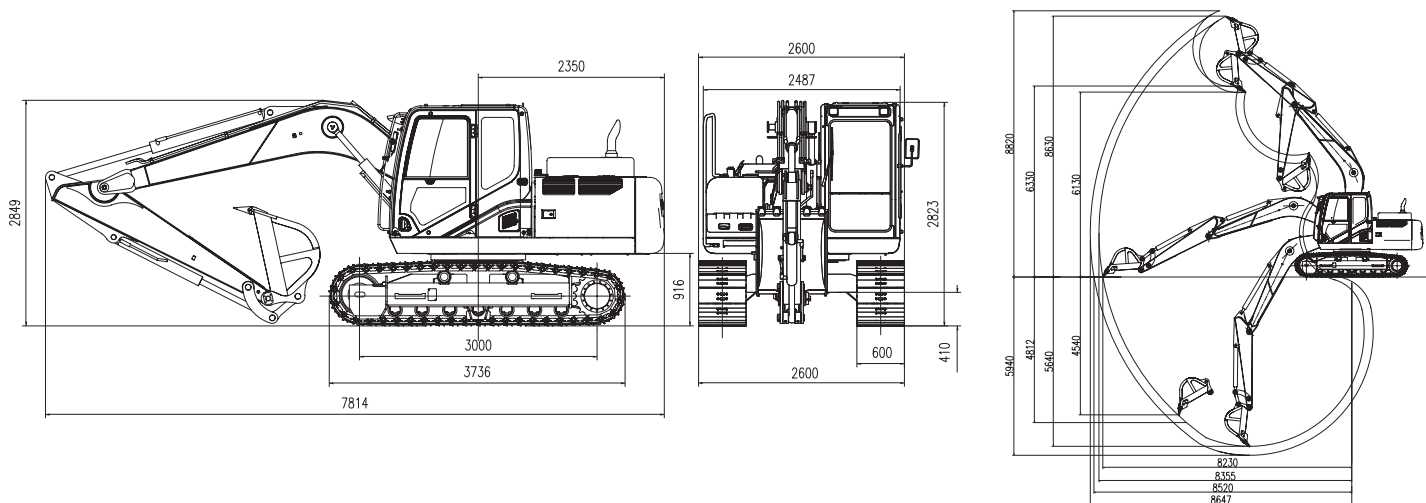
Fuel Tank	245L
Hydraulic Oil Tank	152L

##### HYDRAULIC SYSTEM

Main Pumps	
Type	2 piston pumps
Displacement	2x139 L/min
Working Pressure	31.4/34.3 Mpa

# Excavator SWE 150B

## Working Ranges



## Load Capacity

A(m) \ B(m)	MAX		7m		6m		5m		4m		3m	
	Front(kg)	Side(kg)	Front(kg)	Side(kg)	Front(kg)	Side(kg)	Front(kg)	Side(kg)	Front(kg)	Side(kg)	Front(kg)	Side(kg)
6.0	2720*	2720*	—	—	—	—	2830*	2830*	—	—	—	—
5.0	3100*	2200	—	—	3180*	3180*	3570	3570	—	—	—	—
4.0	2940*	2340*	—	—	3220*	2400	3500*	3500*	3400*	2600	—	—
3.0	2730*	1700	—	—	3440*	2510	3600*	3600*	3700*	3200	5000*	5000*
2.0	2700	1690	2100	2000	3580	2640	3820*	3820*	3900*	3400	5500*	5200*
1.0	2680	1690	2200	2100	3700	2500	4500	4000	4500*	4000	6110	5600
0.0	2640	1680	—	—	3240	2640	4800	4300	5200*	4500	5770	5540
-1.0	2700	1900	—	—	3540	2700	5210	4220	5120	4500	8500	5400
-2.0	3320	2200	—	—	4000	2810	5270	4200	5100	4430	8300	5300
-3.0	3790	2380	—	—	4570	2970	5110	4050	4900	3500	8100	5200
-4.0	4400	2580	—	—	—	—	—	—	4800	3000	—	—

## Notes:

- 1) Load with \* is limited by hydraulic capacity and based on ISO 10567. Rated loads do not exceed 87% of hydraulic capacity.
- 2) Load without \* is limited by tipping load and based on ISO 10567. Rated loads do not exceed 75% of tipping load.

## SUNWARD INTELLIGENT EQUIPMENT CO.,LTD

Add: Sunward Intelligent Industrial Park, Xingsha, Changsha, 410100, China

Tel: 0086-731 8357 2828

Fax: 0086-731-8357 2661

Web: <http://www.sunward.com.cn>

E-mail: [international@sunward.com.cn](mailto:international@sunward.com.cn); [info@sunward.cc](mailto:info@sunward.cc)

PC: 410100