



Excavator SWE 17B



Operating Weight	1.87t
Engine Power	9.9kW/2200rpm
Engine Brand	YANMAR
Standard Bucket Capacity	0.04m ³
Max. Digging Depth	2.15m

Excavator SWE17B

Parameter

ENGINE

Brand	Yanmar
Model	3TNV70-SSU
Type	3-cylinder water-cooled indirect injection
Displacement	0.854L
Power	9.9kW/2200rpm

DIMENSIONS

Counterweight Clearance	498mm
Tail Swing Radius	1080mm
Shipping Length	3820mm
Transport Width	1170mm
Shipping Height	2378mm

ELECTRIC SYSTEM

Nominal Voltage	12V
Batteries	45Ah
Alternator	12V-40A
Starter	12V-1.0kW

WORKING RANGES

Max. Cutting Height	3509mm
Max. Loading Height	2482mm
Max. Digging Depth	2155mm
Max. Vertical Wall Digging Depth	1551mm
Max. Digging Reach	3850mm
Max. Reach at Ground Level	3472mm
Bucket Digging Force	13.1kN
Stick Digging Force	8.7kN
Ground Pressure	27.8kPa
Swing Speed	10.5rpm

DRIVE

Max. Travel Speed (2nd/1st)	4.26/2.33km/h
Gradeability	30°
Max. Traction	13.7kN

UNDERCARRIAGE

Undercarriage Width	980/1310mm
Shoe Width	230mm
Length to Center of Rollers	1170mm
Track Length	1528mm
Track Height	381mm

CAPACITY

Fuel Tank	23L
Hydraulic Oil Tank	35L

BULLDOZING BOARD

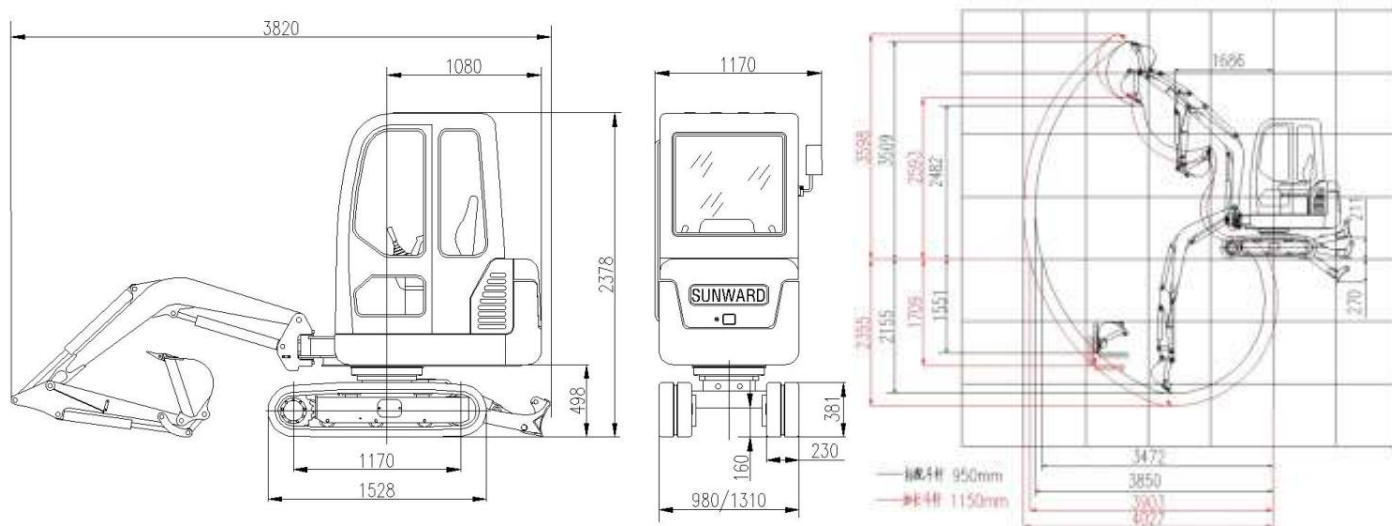
Independent Moving, Controlled By The Gear Shift Lever	
Length X Width	1310X267mm
Max. Lifting Height	211mm
Max. Cutting Depth	270mm

HYDRAULIC SYSTEM

Main Pumps	
Type	2 variable displacement pumps, 1 gear pump
Displacement	2x20+14L/min
Working Pressure	/

Excavator SWE 17B

Working Ranges



Load Capacity

B(m) \ A(m)	MAX		3.0m		2.0m	
	Front(kg)	Side(kg)	Front(kg)	Side(kg)	Front(kg)	Side(kg)
2.5	213.00*	209.00*	—	—	—	—
2.0	235.00*	226.00*	244.00	244.00	—	—
1.0	274.00*	210.00	309.00	313.00	500.00*	470.00*
0.0	304.00*	225.00	318.00	283.00	574.00*	435.00
-0.5	330.00*	257.00	326.00	296.00	531.00*	450.00
-1.0	214.50*	200.10*	—	—	238.40*	224.10*

Notes:

- 1) Load with * is limited by hydraulic capacity and based on ISO 10567. Rated loads do not exceed 87% of hydraulic capacity.
- 2) Load without * is limited by tipping load and based on ISO 10567. Rated loads do not exceed 75% of tipping load.



47 Rennie Dr, Mangere
Auckland 2022

0800 468 782

P +64 9 274 5059

F +64 9 274 0244

www.endraulic.co.nz

