



Excavator SWE 18UB



Operating Weight	1.88t
Engine Power	14.7kW/2200rpm
Engine Brand	PERKINS
Standard Bucket Capacity	0.04m ³
Max. Digging Depth	2.20m

Excavator SWE18UB

Parameter

ENGINE

Brand	PERKINS
Model	403D-11
Type	3-cylinder water-cooled indirect injection
Displacement	1.1L
Power	14.7kW/2200rpm

DIMENSIONS

Counterweight Clearance	436mm
Tail Swing Radius	680mm
Shipping Length	3582mm
Transport Width	990mm
Shipping Height	2415mm

ELECTRIC SYSTEM

Nominal Voltage	12V
Batteries	60Ah
Alternator	12V-40A
Starter	12V-1.4kW

WORKING RANGES

Max. Cutting Height	3458mm
Max. Loading Height	2431mm
Max. Digging Depth	2206mm
Max. Vertical Wall Digging Depth	1590mm
Max. Digging Reach	3942mm
Max. Reach at Ground Level	3848mm
Bucket Digging Force	13.1kN
Stick Digging Force	8.7kN
Ground Pressure	30.3kPa
Swing Speed	11.5rpm

DRIVE

Max. Travel Speed (2nd/1st)	3.5/2.0km/h
Gradeability	30°
Max. Traction	22.5kN

UNDERCARRIAGE

Undercarriage Width	990/1320mm
Shoe Width	230mm
Length to Center of Rollers	1210mm
Track Length	1538mm
Track Height	352mm

CAPACITY

Fuel Tank	21L
Hydraulic Oil Tank	17L

BULLDOZING BOARD

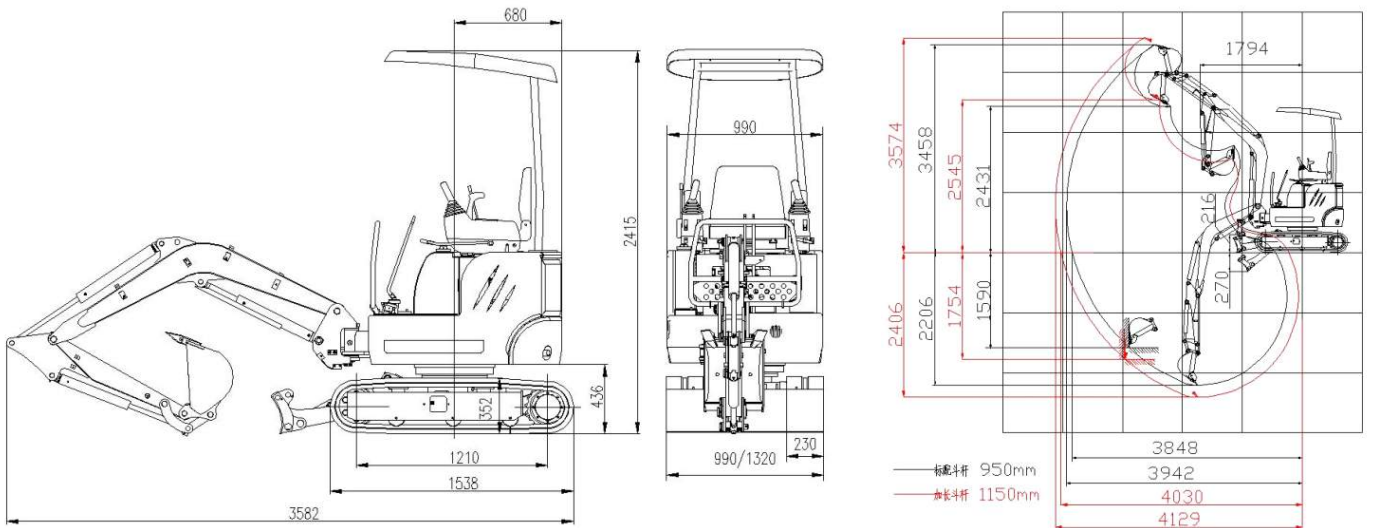
independent moving, controlled by the gear shift lever	
Length X Width	1320X267mm
Max. Lifting Height	216mm
Max. Cutting Depth	270mm

HYDRAULIC SYSTEM

Main Pumps	
Type	2 variable displacement pumps, 1 gear pump
Displacement	2x21 + 15L/min
Working Pressure	20/18MPa

Excavator SWE 18UB

Working Ranges



Load Capacity

A(m) \ B(m)	MAX		3.0m		2.5m		2.0m	
	Front(kg)	Side(kg)	Front(kg)	Side(kg)	Front(kg)	Side(kg)	Front(kg)	Side(kg)
2.5	220.10*	224.90*	205.80*	215.40*	—	—	—	—
2.0	220.10*	224.90*	220.10*	224.90*	244.10*	244.10*	—	—
1.5	239.30*	234.50*	244.10*	239.30*	263.20*	258.40*	335.00*	335.00*
1.0	229.70*	234.50*	244.10*	248.90*	272.80*	296.70*	368.50*	406.80*
0.5	234.50*	239.30*	272.80*	272.80*	349.40*	349.40*	473.80*	464.20*
0.0	258.40*	258.40*	268.00*	277.60*	325.40*	354.10*	449.90*	469.00*
-0.5	263.20*	258.40*	263.20*	258.40*	325.40*	315.90*	469.00*	449.90*
-1.0	253.60*	253.60*	—	—	272.80*	263.20*	368.50*	358.90*

Notes:

- 1) Load with * is limited by hydraulic capacity and based on ISO 10567. Rated loads do not exceed 87% of hydraulic capacity.
- 2) Load without * is limited by tipping load and based on ISO 10567. Rated loads do not exceed 75% of tipping load.



47 Rennie Dr, Mangere

Auckland 2022

0800 468 782

P +64 9 274 5059

F +64 9 274 0244

www.endraulic.co.nz

