



Excavator SWE 25B



Operating Weight	2.58t
Engine Power	15.5kW/2200rpm
Engine Brand	YANMAR
Standard Bucket Capacity	0.066m ³
Max. Digging Depth	2.38m

Excavator SWE25B

Parameter

ENGINE

Brand	YANMAR
Model	3TNV82A
Type	3-cylinder 4-stroke water cooled
Displacement	1.33L
Power	15.5kW/2200rpm

DIMENSIONS

Counterweight Clearance	546mm
Tail Swing Radius	1050mm
Shipping Length	4219mm
Transport Width	1400mm
Shipping Height	2399mm

ELECTRIC SYSTEM

Nominal Voltage	12V
Batteries	63Ah
Alternator	12V-40A
Starter	12V-1.7kW

WORKING RANGES

Max. Cutting Height	4018mm
Max. Loading Height	2875mm
Max. Digging Depth	2375mm
Max. Vertical Wall Digging Depth	1664mm
Max. Digging Reach	4463mm
Max. Reach at Ground Level	4317mm
Bucket Digging Force	20.8kN
Stick Digging Force	13kN
Ground Pressure	36kPa
Swing Speed	10rpm

DRIVE

Max. Travel Speed (2nd/1st)	4.7/2.6km/h
Gradeability	30°
Max. Traction	19kN

UNDERCARRIAGE

Undercarriage Width	1400mm
Shoe Width	250mm
Length to Center of Rollers	1430mm
Track Length	1856mm
Track Height	473mm

CAPACITY

Fuel Tank	42.5L
Hydraulic Oil Tank	30L

BULLDOZING BOARD

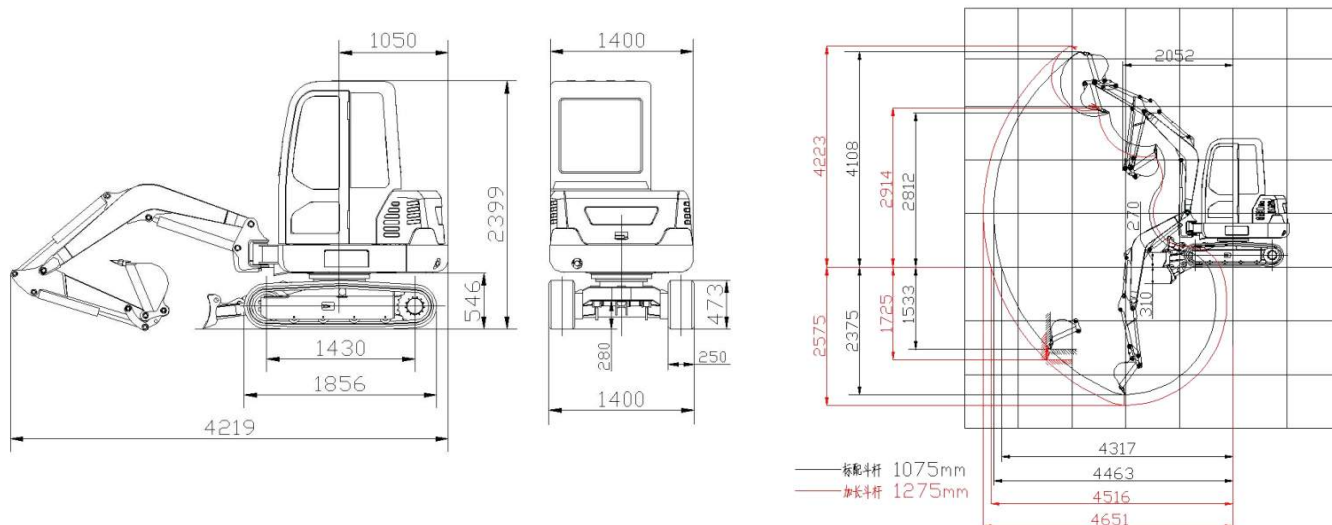
independent moving, controlled by the gear shift lever	
Length X Width	1400X324mm
Max. Lifting Height	270mm
Max. Cutting Depth	310mm

HYDRAULIC SYSTEM

Main Pumps	
Type	2 variable displacement pumps, 1 gear pump
Displacement	2x29+21L/min
Working Pressure	23.5/20MPa

Excavator SWE 25B

Working Ranges



Load Capacity

B(m)	A(m)	MAX		3.5m		3.0m		2.5m		2.0m	
		Front(kg)	Side(kg)	Front(kg)	Side(kg)	Front(kg)	Side(kg)	Front(kg)	Side(kg)	Front(kg)	Side(kg)
3.0		469.00*	404.30	—	—	469.00*	404.30	—	—	—	—
2.5		497.70*	350.70	—	—	512.10*	424.90	—	—	—	—
2.0		536.00*	313.50	550.40*	445.60	536.00*	424.90	670.00*	515.70	—	—
1.5		540.80*	288.80	564.70*	440.10	612.60*	420.80	813.60*	528.10	—	—
1.0		555.10*	280.50	583.90*	429.10	703.50*	396.10	875.80*	503.30	—	—
0.5		574.30*	276.40	617.40*	407.10	703.50*	371.30	961.90*	470.30	—	—
0.0		612.60*	276.40	650.90*	396.10	813.60*	358.90	947.60*	449.70	1292.20*	598.20
-0.5		650.90*	309.40	—	—	756.10*	367.20	861.40*	474.40	1196.40*	577.60
-1.0		679.60*	363.10	—	—	679.60*	375.40	823.10*	466.20	1005.00*	573.50

Notes:

- 1) Load with * is limited by hydraulic capacity and based on ISO 10567. Rated loads do not exceed 87% of hydraulic capacity.
- 2) Load without * is limited by tipping load and based on ISO 10567. Rated loads do not exceed 75% of tipping load.



47 Rennie Dr, Mangere
Auckland 2022
0800 468 782
P +64 9 274 5059
F +64 9 274 0244

www.endraulic.co.nz

