



## Excavator SWE 30UB



|                          |                    |
|--------------------------|--------------------|
| Operating Weight         | 3.46t/3.47t        |
| Engine Power             | 19.3kW/2200rpm     |
| Engine Brand             | YANMAR             |
| Standard Bucket Capacity | 0.08m <sup>3</sup> |
| Max. Digging Depth       | 2.48m              |

### Excavator SWE30UB

#### Parameter

##### ENGINE

|              |                                  |
|--------------|----------------------------------|
| Brand        | Yanmar                           |
| Model        | 3TNV88-BSSU                      |
| Type         | 3-cylinder 4-stroke water-cooled |
| Displacement | 1.642L                           |
| Power        | 19.3kW/2200rpm                   |

##### DIMENSIONS

|                         |        |
|-------------------------|--------|
| Counterweight Clearance | 568mm  |
| Tail Swing Radius       | 780mm  |
| Shipping Length         | 4515mm |
| Transport Width         | 1564mm |
| Shipping Height         | 2538mm |

##### ELECTRIC SYSTEM

|                 |           |
|-----------------|-----------|
| Nominal Voltage | 12V       |
| Batteries       | 63Ah      |
| Alternator      | 12V-40A   |
| Starter         | 12V-1.7kW |

##### WORKING RANGES

|                                  |        |
|----------------------------------|--------|
| Max. Cutting Height              | 4393mm |
| Max. Loading Height              | 3231mm |
| Max. Digging Depth               | 2477mm |
| Max. Vertical Wall Digging Depth | 1759mm |
| Max. Digging Reach               | 4883mm |
| Max. Reach at Ground Level       | 4757mm |
| Bucket Digging Force             | 18.2kN |
| Stick Digging Force              | 14.3kN |
| Ground Pressure                  | 30kPa  |
| Swing Speed                      | 9.8rpm |

##### DRIVE

|                             |             |
|-----------------------------|-------------|
| Max. Travel Speed (2nd/1st) | 4.3/2.4km/h |
| Gradeability                | 30°         |
| Max. Traction               | 31.5kN      |

##### UNDERCARRIAGE

|                             |        |
|-----------------------------|--------|
| Undercarriage Width         | 1560mm |
| Shoe Width                  | 300mm  |
| Length to Center of Rollers | 1500mm |
| Track Length                | 1973mm |
| Track Height                | 522mm  |

##### CAPACITY

|                    |     |
|--------------------|-----|
| Fuel Tank          | 38L |
| Hydraulic Oil Tank | 40L |

##### BULLDOZING BOARD

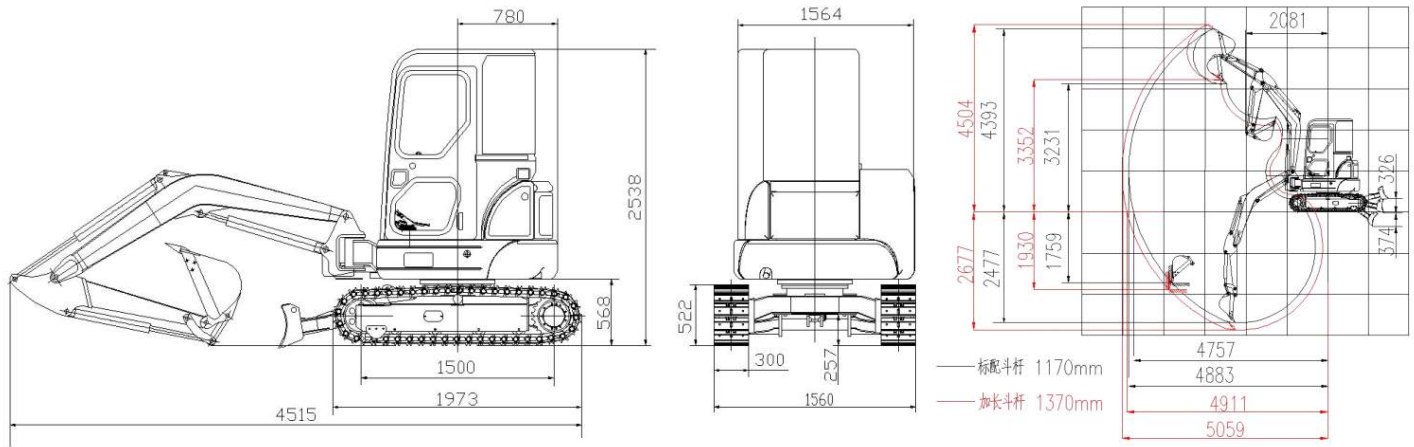
|  |            |
|--|------------|
| independent moving, controlled by the gear shift lever |            |
| Length X Width   | 1560X380mm |
| Max. Lifting Height                                    | 326mm      |
| Max. Cutting Depth                                     | 374mm      |

##### HYDRAULIC SYSTEM

|                  |  |
|------------------|--|
| Main Pumps       |  |
| Type             | 2 variable displacement pumps, 1 gear pump |
| Displacement     | 2x33+19L/min                               |
| Working Pressure | 23.5/20MPa                                 |

# Excavator SWE 30UB

## Working Ranges



## Load Capacity

| A(m) \ B(m) | MAX           |               | 3.0m      |          | 2.5m          |               | 2.0m      |          |
|-------------|---------------|---------------|-----------|----------|---------------|---------------|-----------|----------|
|             | Front(kg)     | Side(kg)      | Front(kg) | Side(kg) | Front(kg)     | Side(kg)      | Front(kg) | Side(kg) |
| 4.0         | 443.70*(3.5m) | 430.65*(3.5m) | —         | —        | —             | —             | —         | —        |
| 3.0         | 456.75*       | 326.25        | 456.75*   | 315.00   | 539.40*(2.5m) | 539.40*(2.5m) | 1209.30*  | 1157.10* |
| 2.0         | 491.55*       | 258.75        | 517.65*   | 288.75   | 656.85*       | 453.75        | 1396.35*  | 900.00   |
| 1.0         | 508.95*       | 232.50        | 574.20*   | 277.50   | 817.80*       | 412.50        | 1344.15*  | 618.75   |
| 0.0         | 565.50*       | 240.00        | 578.55*   | 266.25   | 835.20*       | 446.25        | 1004.85*  | 746.25   |
| -1.0        | 448.05*       | 303.75        | —         | —        | 726.45*       | 386.25        | 870.10*   | 502.60   |
| -2.0        | 415.50*       | 377.20*       | —         | —        | —             | —             | 544.70*   | 540.00*  |

## Notes:

- 1) Load with \* is limited by hydraulic capacity and based on ISO 10567. Rated loads do not exceed 87% of hydraulic capacity.
- 2) Load without \* is limited by tipping load and based on ISO 10567. Rated loads do not exceed 75% of tipping load.



**47 Rennie Dr, Mangere**  
**Auckland 2022**  
**0800 468 782**  
**P +64 9 274 5059**  
**F +64 9 274 0244**

[www.endraulic.co.nz](http://www.endraulic.co.nz)

