



Excavator SWE 60B



Operating Weight	6.31t/6.24t
Engine Power	33.7kW/2100rpm
Engine Brand	YANMAR
Standard Bucket Capacity	0.18m ³
Max. Digging Depth	3.76m

Excavator SWE60B

Parameter

ENGINE

Brand	Yanmar
Model	4TNV94L-BVSU
Type	4-cylinder 4-stroke water-cooled
Displacement	3.054L
Power	33.7kW/2100rpm

DIMENSIONS

Counterweight Clearance	700mm
Tail Swing Radius	1600mm
Shipping Length	5877mm
Transport Width	1900mm
Shipping Height	2615mm

ELECTRIC SYSTEM

Nominal Voltage	12V
Batteries	120Ah
Alternator	12V-55A
Starter	12V-3.0kW

WORKING RANGES

Max. Cutting Height	5512mm
Max. Loading Height	3929mm
Max. Digging Depth	3759mm
Max. Vertical Wall Digging Depth	3024mm
Max. Digging Reach	6121mm
Max. Reach at Ground Level	5983mm
Bucket Digging Force(ISO)	46.8kN
Stick Digging Force(ISO)	31.1kN
Ground Pressure	35.6kPa
Swing Speed	9.4rpm

DRIVE

Max. Travel Speed (2nd/1st)	4.74/2.75 km/h
Gradeability	35°
Max. Traction	42.1kN

UNDERCARRIAGE

Undercarriage Width	1880mm
Shoe Width	400mm
Length to Center of Rollers	1965mm
Track Length	2495mm
Track Height	594mm

CAPACITY

Fuel Tank	113L
Hydraulic Oil Tank	100L

BULLDOZING BOARD

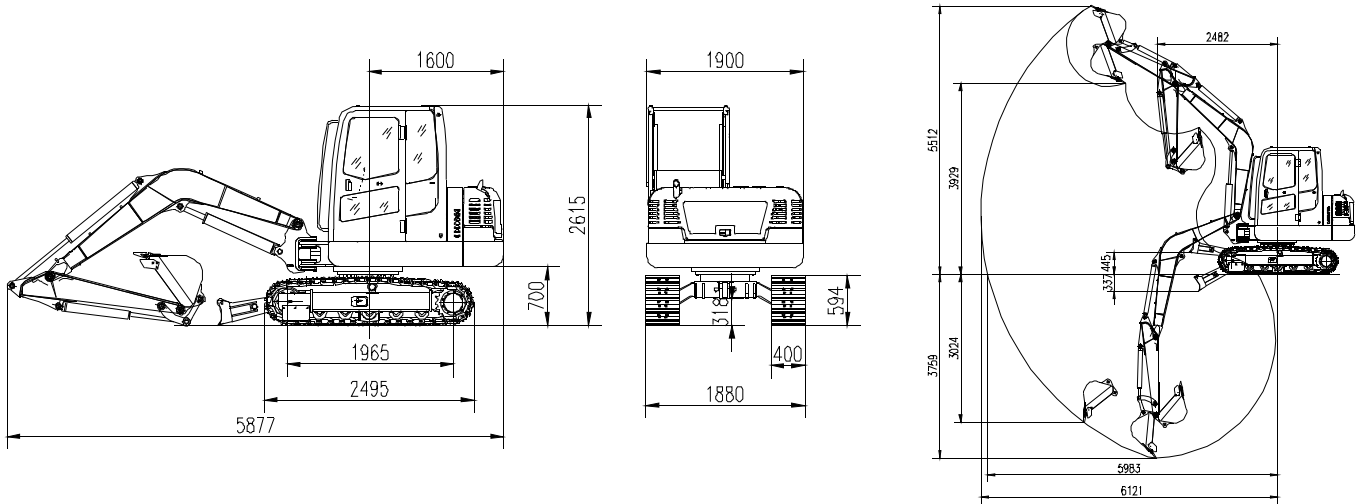
independent moving, controlled by the gear shift lever	
Length X Width	1900X340mm
Max. Lifting Height	445mm
Max. Cutting Depth	337mm

HYDRAULIC SYSTEM

Main Pumps	
Type	2 variable displacement pumps, 1 gear pump
Displacement	2x59+42 L/min
Working Pressure	24.5/21 Mpa

Excavator SWE 60B

Working Ranges



Load Capacity

B(m)	A(m)	MAX		5.0m		4.0m		3.0m	
		Front(kg)	Side(kg)	Front(kg)	Side(kg)	Front(kg)	Side(kg)	Front(kg)	Side(kg)
4.0		885.4*	837.5*	—	—	842.3*	861.4*	—	—
3.0		866.2*	581.7	—	—	885.4*	871.0*	—	—
2.0		832.7*	486.8	—	—	981.1*	697.2	1316.1*	1301.7*
1.0		890.2*	449.7	918.9*	474.5	1115.1*	631.2	1703.7*	969.5
0.0		1186.9*	585.8	1196.4*	614.7	1483.6*	750.9	1971.7*	1043.8
-1.0		1172.5*	614.7	—	—	1182.1*	639.5	1617.6*	837.5
-2.0		713.1*	833.4	—	—	713.1*	833.4	1397.4*	915.9

Notes :

- 1) Load with * is limited by hydraulic capacity and based on ISO 10567. Rated loads do not exceed 87% of hydraulic capacity.
- 2) Load without * is limited by tipping load and based on ISO 10567. Rated loads do not exceed 75% of tipping load.



47 Rennie Dr, Mangere
Auckland 2022
0800 468 782
P +64 9 274 5059
F +64 9 274 0244

www.endraulic.co.nz

