



## Excavator SWE 80B

Operating Weight	7.86t/7.81t
Engine Power	43.4kW/2200rpm
Engine Brand	YANMAR
Standard Bucket Capacity	0.28m <sup>3</sup>
Max. Digging Depth	4.19m



### Excavator SWE80B

#### Parameter

##### ENGINE

Brand	Yanmar
Model	4TNV98-ZSSU
Type	4-cylinder 4-stroke water-cooled
Displacement	3.32L
Power	43.4kW/2200rpm

##### ELECTRIC SYSTEM

Nominal Voltage	12V
Batteries	120Ah
Alternator	12V-55A
Starter	12V-3.0kw

##### DRIVE

Max. Travel Speed (2nd/1st)	4.0/2.4km/h
Gradeability	35°
Max. Traction	62kN

##### UNDERCARRIAGE

Undercarriage Width	2150mm
Shoe Width	450mm
Length to Center of Rollers	2200mm
Track Length	2784mm
Track Height	638mm

##### BULLDOZING BOARD

independent moving, controlled by the gear shift lever	
Length X Width	2160X449mm
Max. Lifting Height	418mm
Max. Cutting Depth	480mm

##### DIMENSIONS

Counterweight Clearance	745mm
Tail Swing Radius	1680mm
Shipping Length	6805mm
Transport Width	2160mm
Shipping Height	2665mm

##### WORKING RANGES

Max. Cutting Height	6818mm
Max. Loading Height	4870mm
Max. Digging Depth	4192mm
Max. Vertical Wall Digging Depth	3365mm
Max. Digging Reach	7176mm
Max. Reach at Ground Level	7031mm
Bucket Digging Force(ISO)	53.1kN
Stick Digging Force(ISO)	36.3kN
Ground Pressure	36.4kPa
Swing Speed	10rpm

##### CAPACITY

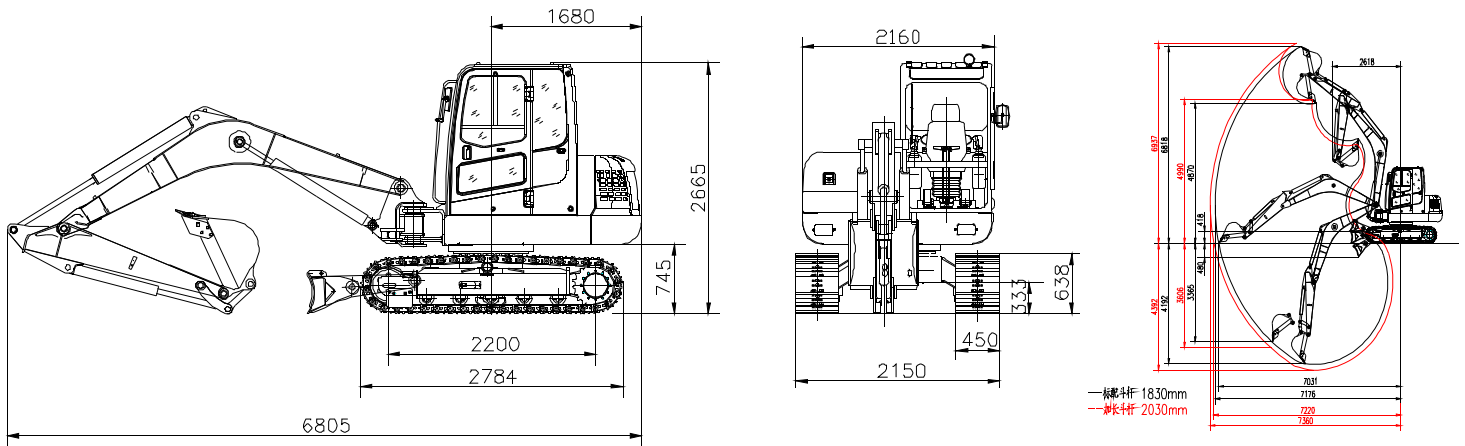
Fuel Tank	118L
Hydraulic Oil Tank	105L

##### HYDRAULIC SYSTEM

Main Pumps	
Type	1 variable piston pump
Displacement	156L/min
Working Pressure	26MPa

# Excavator SWE 80B

## Working Ranges



## Load Capacity

B(m)	A(m)	MAX		6.0m		5.0m		4.0m		3.0m	
		Front(kg)	Side(kg)	Front(kg)	Side(kg)	Front(kg)	Side(kg)	Front(kg)	Side(kg)	Front(kg)	Side(kg)
6.0		—	—	—	—	—	—	—	—	—	—
5.0		1411.00*	1484.00*	—	—	—	—	—	—	—	—
4.0		1135.00	1011.00	—	—	1436.00*	1140.00	—	—	—	—
3.0		941.00	887.00	—	—	1508.00*	1151.00*	1761.2*	1771.00*	1665.00*	2580.00*
2.0		949.00	817.00	1031.00	842.00	1283.00	1081.00	1766.00*	1522.00	2752.00*	2224.00
1.0		912.00	767.00	990.00	800.00	1229.00	1040.00	1687.00	1436.00	2471.00	1939.00
0		910.00	755.00	883.00	767.00	1168.00	734.4	1667.00	1333.00	2273.00	1786.00

## Notes:

- 1) Load with \* is limited by hydraulic capacity and based on ISO 10567. Rated loads do not exceed 87% of hydraulic capacity.
- 2) Load without \* is limited by tipping load and based on ISO 10567. Rated loads do not exceed 75% of tipping load.



47 Rennie Dr, Mangere

Auckland 2022

0800 468 782

P +64 9 274 5059

F +64 9 274 0244

[www.endraulic.co.nz](http://www.endraulic.co.nz)

