



FLEX V³ PLANE



GROUSER®

FLEX V3 PLANE

With more than two decades of experience manufacturing industrial-grade attachments that improve productivity, Grouser Products is a household name among skid steer owners. The latest example of innovation — the V3 Flex Plane — significantly cuts grading and leveling time, effectively increasing ROI and skyrocketing productivity. The patent pending V3 Flex Plane design utilizes heavy-duty, contractor-grade components and materials to ensure maximum durability. With minimal wear components and self-correcting springs, the unit is easy to operate and maintain — even for the inexperienced operator. Grouser Products' V3 Flex Plane truly is in a class all its own and offers the ideal solution for increased productivity, especially on uneven or challenging terrain.

V3 FEATURES

- 1 PIVOTING MECHANISM** self-adjusts the V3 Flex Plane to varying terrains and ground conditions, virtually eliminating any restrictions to travel direction. The design enables the V3 Flex Plane to adjust to the contour of the ground – preventing corners from digging in when moving to a different plane.
- 2 EXCLUSIVE ACCU-TACH SYSTEM** provides a firm and accurate mounting design and allows the planer to be adjusted to the correct cutting angle for any tracked or wheeled skid loader, thus increasing cutting ability and boosting productivity.
- 3 SIMPLE LOCKING SYSTEM** locks the unit in place and allows the V3 Flex Plane to be operated as a standard rigid plane.
- 4 TWO DOUBLE-BEVELED HARDENED STEEL CUTTING EDGES** deliver aggressive cutting action in both forward and reverse directions. Edges are easily replaceable when worn.
- 5 OPEN VIEW DESIGN** allows a clear view of the critical working area to enhance productivity and eliminate errors.
- 6 CROSS CRUMBLER BEAM** pulverizes clumps and clods of dirt for a smooth finished surface.
- 7 LARGE REAR SIDE PLATES** offer enhanced material moving capabilities.

GROUSER[®]

PIVOTING PRECISION





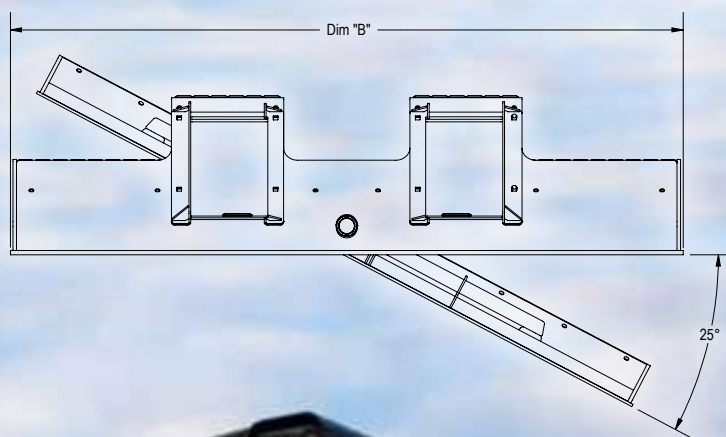
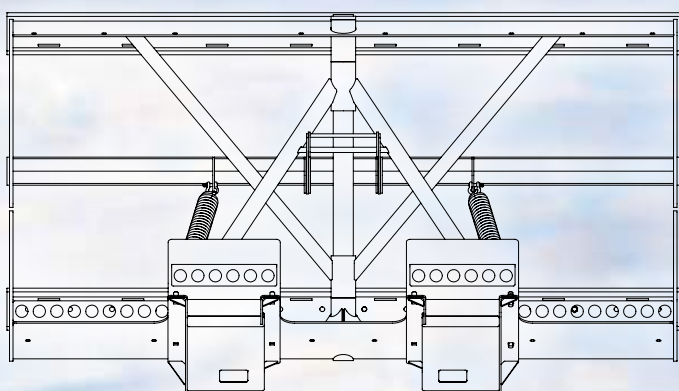
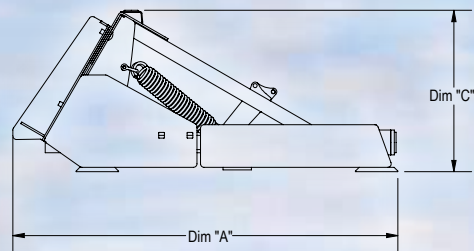
MARKETS



Building • Landscaping • Parking Lot Maintenance • Golf Courses • Hobby Farms • Vineyards
 Municipalities • Parks and Recreation



SPECIFICATIONS

Model	Length (A)	Width (B)	Height(C)	Weight
15290-72	54.25 in.	72 in.	22.75 in.	759 lbs.
15290-78	54.25 in.	78 in.	22.75 in.	790 lbs.
15290-84	54.25 in.	84 in.	22.75 in.	819 lbs.
15290-90	54.25 in.	90 in.	22.75 in.	850 lbs.
15290-96	54.25 in.	96 in.	22.75 in.	879 lbs.



 I received the V3 Flex Plane as part of a test program and simply couldn't give it up when the program was over. The unit increases my productivity and easily pays for itself. I'll never own another fixed land plane. 

– Brett Kallias, Owner,
 Accelerated Green Works, Inc.



47 Rennie Dr, Mangere
 Auckland 2022
 0800 468 782
 P +64 9 274 5059
 F +64 9 274 0244
www.endraulic.co.nz