



9.63 EVO

WHEEL LOADER "Z" LINKAGE



DIESEL ENGINE

4-cylinder in-line engine, turbocharged with intercooler, common-rail injection with electronic control, water-cooled, dry filtration. Emissioned according to CEE 97/68 - Stage IIIA/Tier3.

Type	Deutz TCD 2012 LO4	
Max. power	108 kW - 147 HP	
Rated rpm	2.400	
Power ISO/TR 14396	103 kW - 140 HP	
Power EEC 80/1269	103 kW - 140 HP	
Max. torque	Nm	520
Bore	mm	101
Stroke	mm	126
Displacement	cm ³	4.038



ELECTRIC SYSTEM

Battery	12 Volt	
Capacity EN 60095-1	110 Ah - 850 A	
Alternator rating	95 A	
Reverse warning	Standard	
Wiring according to	IP 67 - DIN 40050	



TRANSMISSION

Hydrostatic transmission with automatic power regulation and closed circuit with pumps and variable displacement engine, four forward/reverse speed, with single lever control.

Gear	Forward	Reverse
1	0÷5	0÷5
2	0÷13	0÷13
	Forward	Reverse
3	0÷17	0÷17
4	0÷40*	0÷40*

*Self limited max speed



AXLES

Two heavy duty equal size axles with planetary final drives in each wheel. Fixed rigid drive axle. Oscillation rear axle on rear chassis section up to a total angle of 25°. Transfer gearbox transferring movement directly to the rear and to the front axle via a transmission shaft. Self locking limited slip differential on rear axle (optional).



BRAKES

Service: hydraulic multi-disc oil brake on front and rear axles. Parking: negative hydraulic on front axle, electrically applied.



TYRES

Standard	17.5 x 25
Optional	17.5 R25 480/70 R24



STEERING

Servo-assisted steering **LOAD SENSING** system.

Total steering angle	80°
Inner tyres turning radius	mm 2.733
External turning radius	mm 4.908
External bucket turning radius*	mm 5.406

* Bucket on traveling condition



HYDRAULIC SYSTEM

Two gear pump, the first for loader and steering circuit with **LOAD SENSING** valve, the second for the fan circuit with two rotating speed. Modular two-element control valve with main relief valve. Double acting hydraulic cylinders. Hydraulic oil cooling radiator. Full flow oil filter on the drain pipe. Joystick control with 4 position lifting system and with 3 position bucket system.

Max flow	lt/1'	160
Loader relief valve pressure	bar	230
Steering relief valve pressure	bar	175
Lift cylinder	mm	100x815
Bucket cylinder	mm	120x380
Lifting time (full)	sec.	4.5
Lowering time (empty)	sec.	3.4
Unloading time	sec.	1.7
Total time of cyclus	sec.	9.6



SERVICE CAPACITIES

Engine	lt	8
Front axle	lt	17,6
Rear axle	lt	11,9
Gearbox	lt	1,8
Hydraulic circuit	lt	137
Brake circuit	lt	1,1
Fuel	lt	160
Water cooling	lt	20



TECHNICAL FEATURES

Standard bucket capacity	m ³	1,8
Bucket width	mm	2.350
Straight static tipping load	kg	8.000
Full turned 40° tipping load	kg	7.000
Lifting capacity at max. height	kg	6.900
Dump clearance	mm	3.700
Dump height at 40°	mm	2.900
Reach at 40°	mm	815
Breakout force	kg	8.600



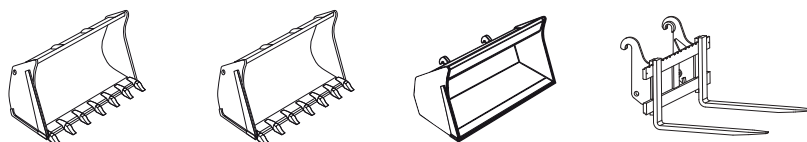
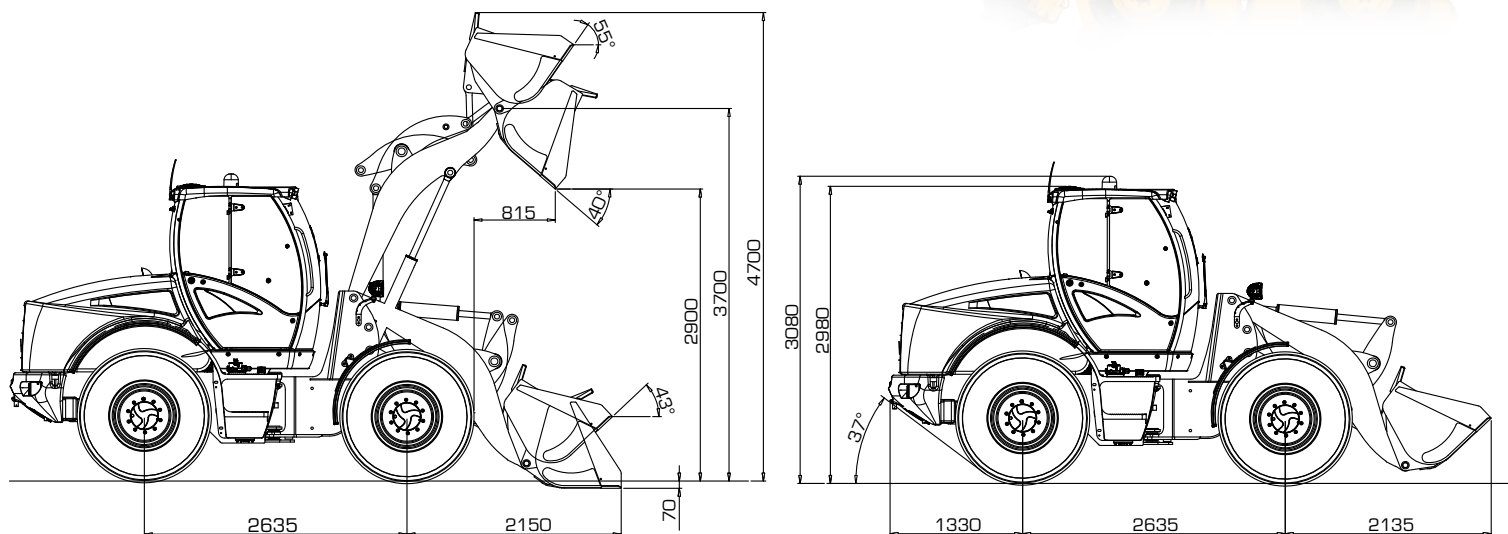
DIMENSIONS AND WEIGHT

Max lenght in transfer position	mm	6.100
Max width in transfer position	mm	2.350
Tyre external width	mm	2.195
Track width	mm	1.750
Wheel base	mm	2.635
Ground clearance	mm	380
Max. height	mm	2.900
Standard operating weight	kg	10.000
Max permissible weight	kg	12.300



9.63 EVO

WHEEL LOADER "Z" LINKAGE



PERFORMANCE DATA ACCORDIN TO BUCKET TYPE

		UNIVERSAL BUCKET		LIGHT MATERIAL	FORKS
		Pin-on	Quick coupler		
Full load bucket capacity (SAE)	m ³	1,8	1,8	2,2	/
Material density	kg/m ³	1800	1800	800	/
Bucket width	mm	2.350	2.350	2.500	/
Bucket weight	kg	650	650	750	/
Overall operating height, fully raised		4.700	4.800	4.796	/
Forks lengthh (standard)					1100
Forks lengthh (optional)					1300
Hinge pin height	mm	3.700	3.700	3.700	/
Dump clearance	°	40°	40°	40°	/
Dump height	mm	2.900	2.830	2.833	/
Dump distance	mm	850	930	924	/
Bucket static tipping load, straight	kg	8.000	7.600	7.800	/
Bucket static tipping load, full turn	kg	7.000	6.800	6.800	/
Forks static tipping load, full turn	kg				5.400
Payload EN 474-3 (80%) [•]	kg				4.400
Payload EN 474-3 (60%) [•]	kg				3.300
Breakout force	kg	8.600	7.500	7.800	/
Total displacement length	mm	6.100	6.200	6.175	/
External bucket turning radius	mm	6.406	5.440	5.531	/
Standard operating weight	kg	10.000	10.400	10.500	/

[•] Loading center 500 mm



VENIERI

Via Piratello, 106 - 48022 Lugo (RA) ITALY
 Tel. +39 0545 904411 Fax +39 0545 30389
 e-mail: info@vf-venieri.com www.vf-venieri.com
Spare parts
 Tel. +39 0545 904429 Fax +39 0545 24555

The illustrations on the present folder do not necessarily show the product standard version. Data and dimensions described in this folder are not binding. Venieri reserves the right of carrying out possible changes at any time and without previous notice because of its policy of steady development and improvement of the products.

[2017] UP 963C_B-EN