



Excavator SWE 365E



| | |
|--------------------------|-------------------|
| Operating Weight | 35.8t |
| Engine Power | 183.9kW/2000rpm |
| Engine Brand | ISUZU |
| Standard Bucket Capacity | 1.6m ³ |
| Max. Digging Depth | 7.485m |

Excavator SWE365E

Parameter

ENGINE

| | |
|--------------|----------------------------------|
| Brand | ISUZU |
| Model | AA-6HK1XQP |
| Type | 6-cylinder 4-stroke water cooled |
| Displacement | 7.79L |
| Power | 183.9kW/2000rpm |

ELECTRIC SYSTEM

| | |
|-----------------|---------|
| Nominal Voltage | 24V |
| Batteries | 2×12V |
| Alternator | 24V-50A |
| Starter | 24V-5kW |

DRIVE

| | |
|-----------------------------|--------------|
| Max. Travel Speed (2nd/1st) | 5.5/3.3 km/h |
| Gradeability | 35° |
| Max. Traction | 307kN |

UNDERCARRIAGE

| | |
|---------------------|--------|
| Undercarriage Width | 3190mm |
| Track Height | 1070mm |
| Tumbler Distance | 4030mm |
| Track Length | 4945mm |
| Shoe Width | 600mm |

DIMENSIONS

| | |
|-------------------------|---------|
| Counterweight Clearance | 1195 mm |
| Tail Swing Radius | 3390mm |
| Shipping Length | 11175mm |
| Shipping Width | 3190mm |
| Cab Height | 3120mm |

WORKING RANGES

| | |
|----------------------------------|---------|
| Max. Cutting Height | 10530mm |
| Max. Loading Height | 7420mm |
| Max. Digging Depth | 7485mm |
| Max. Vertical Wall Digging Depth | 6475mm |
| Max. Digging Reach | 11370mm |
| Max. Digging Reach (Ground) | 11170mm |
| Bucket Digging Force | 249kN |
| Stick Digging Force | 177kN |
| Ground Pressure | 63.6kPa |
| Swing Speed | 9.1rpm |

CAPACITY

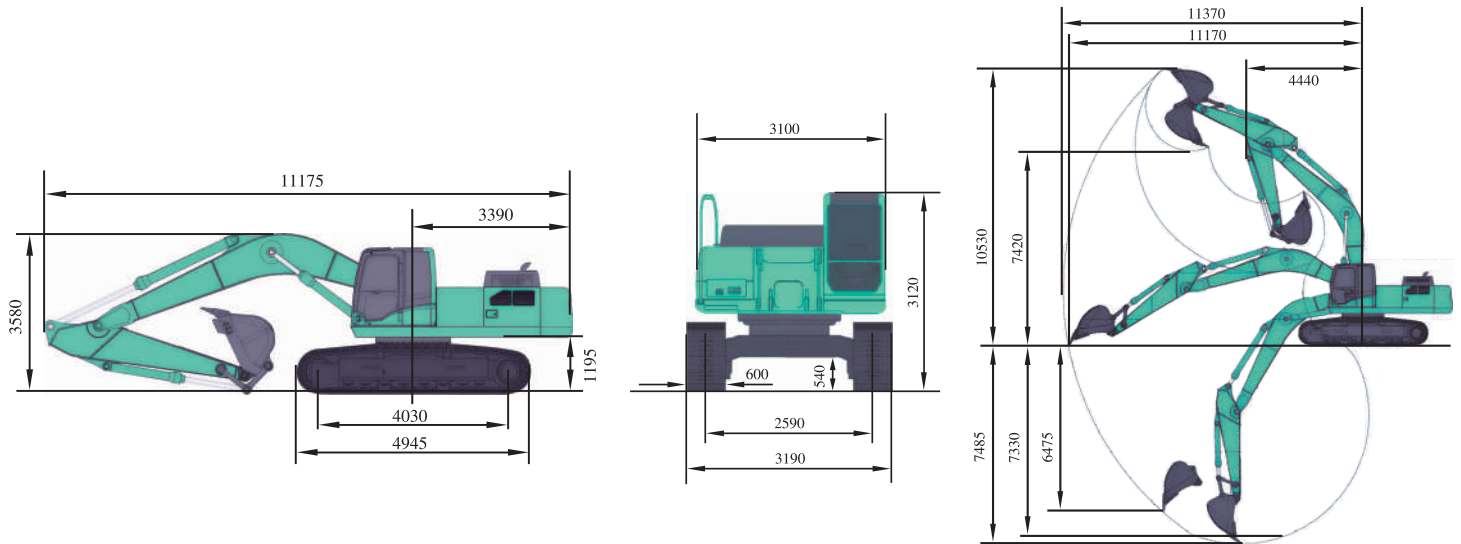
| | |
|--------------------|------|
| Fuel Tank | 650L |
| Hydraulic Oil Tank | 290L |

HYDRAULIC SYSTEM

| | |
|------------------|----------------|
| Main Pumps | |
| Type | 2 piston pumps |
| Displacement | 304 L/min |
| Working Pressure | 32.4/34.3 Mpa |

Excavator SWE 365E

Working Ranges



Load Capacity

| A(m) \ B(m) | 3m | | 4m | | 5m | | 6m | | 7m | | 8m | | 9m | | MAX | |
|-------------|-----------|----------|-----------|----------|-----------|----------|-----------|----------|-----------|----------|-----------|----------|-----------|----------|-----------|----------|
| | Front(kg) | Side(kg) | Front(kg) | Side(kg) | Front(kg) | Side(kg) | Front(kg) | Side(kg) | Front(kg) | Side(kg) | Front(kg) | Side(kg) | Front(kg) | Side(kg) | Front(kg) | Side(kg) |
| 7.0 | - | - | - | - | - | - | - | - | 8340 | 6850 | - | - | - | - | 7230 | 5750 |
| 6.0 | - | - | - | - | - | - | 9200 | 9010 | 8620 | 6800 | 8360 | 5200 | - | - | 7120 | 4950 |
| 5.0 | - | - | - | - | 11700 | 11700 | 10140 | 8730 | 9170 | 6660 | 8340 | 5170 | - | - | 7130 | 4430 |
| 4.0 | - | - | - | - | 13580 | 11260 | 11270 | 8390 | 9870 | 6460 | 8230 | 5070 | - | - | 6770 | 4090 |
| 3.0 | - | - | - | - | 15420 | 10620 | 12420 | 8020 | 10180 | 6240 | 8100 | 4940 | 6540 | 3920 | 6490 | 3890 |
| 2.0 | - | - | - | - | 16840 | 10110 | 12840 | 7700 | 9950 | 6040 | 7960 | 4820 | 6470 | 3860 | 6370 | 3790 |
| 1.0 | - | - | - | - | 17060 | 9800 | 12560 | 7450 | 9760 | 5870 | 7840 | 4710 | 6420 | 3810 | 6400 | 3800 |
| 0.0 | - | - | - | - | 16890 | 9090 | 12380 | 7300 | 9630 | 5750 | 7750 | 4630 | - | - | 6590 | 3910 |
| -1.0 | - | - | 17030 | 13890 | 16850 | 9620 | 12310 | 7240 | 9570 | 5700 | 7720 | 4600 | - | - | 6970 | 4150 |
| -2.0 | 15910 | 15910 | 20750 | 14040 | 16920 | 9680 | 12320 | 7250 | 9580 | 5700 | 7750 | 4630 | - | - | 7630 | 4560 |
| -3.0 | 23140 | 23140 | 19220 | 14270 | 15920 | 9810 | 12430 | 7340 | 9670 | 5790 | - | - | - | - | 8720 | 5240 |
| -4.0 | 20310 | 20310 | 16950 | 14600 | 14090 | 10040 | 11530 | 7530 | - | - | - | - | - | - | 9670 | 6430 |
| -5.0 | - | - | 13440 | 13440 | 10900 | 10420 | - | - | - | - | - | - | - | - | 9200 | 8850 |

SUNWARD INTELLIGENT EQUIPMENT CO.,LTD

Add: Sunward Intelligent Industrial Park, Xingsha, Changsha, 410100, China

Tel: 0086-731 8357 2828

Fax: 0086-731-8357 2661

Web: <http://www.sunward.com.cn>

E-mail: international@sunward.com.cn; info@sunward.cc

PC: 410100

