



Excavator SWE20B



Operating Weight	1.94t (rubber track)
Engine Power	13.3kW/2200rpm
Engine Brand	YANMAR
Standard Bucket Capacity	0.04m ³
Max. Digging Depth	2.38m

Excavator SWE 20B

Parameter

ENGINE	
Brand	YANMAR
Model	3TNV76-SSU
Type	3-cylinder water-cooled indirect injection
Displacement	1.116L
Power	13.3kW/2200rpm

DIMENSIONS	
Counterweight Clearance	482mm
Tail Swing Radius	1120mm
Shipping Length	3820mm
Shipping Width	990mm
Shipping Height	2370mm

ELECTRIC SYSTEM	
Nominal Voltage	12V
Batteries	63Ah
Alternator	12V-40A
Starter	12V-1.4kW

WORKING RANGES	
Max. Cutting Height	3770mm
Max. Loading Height	2720mm
Max. Digging Depth	2380mm
Max. Vertical Wall Digging Depth	1870mm
Max. Digging Reach	4040mm
Max. Reach at Ground Level	3945mm
Bucket Digging Force	22.7kN
Stick Digging Force	9.9kN
Ground Pressure	30kPa
Swing Speed	10rpm

DRIVE	
Max. Travel Speed (2nd/1st)	3.5/2.0km/h
Gradeability	30°
Max. Traction	16.7kN

UNDERCARRIAGE	
Undercarriage Width	990/1360mm
Shoe Width	230mm
Length to Center of Rollers	1210mm
Track Length	1555mm
Track Height	385mm

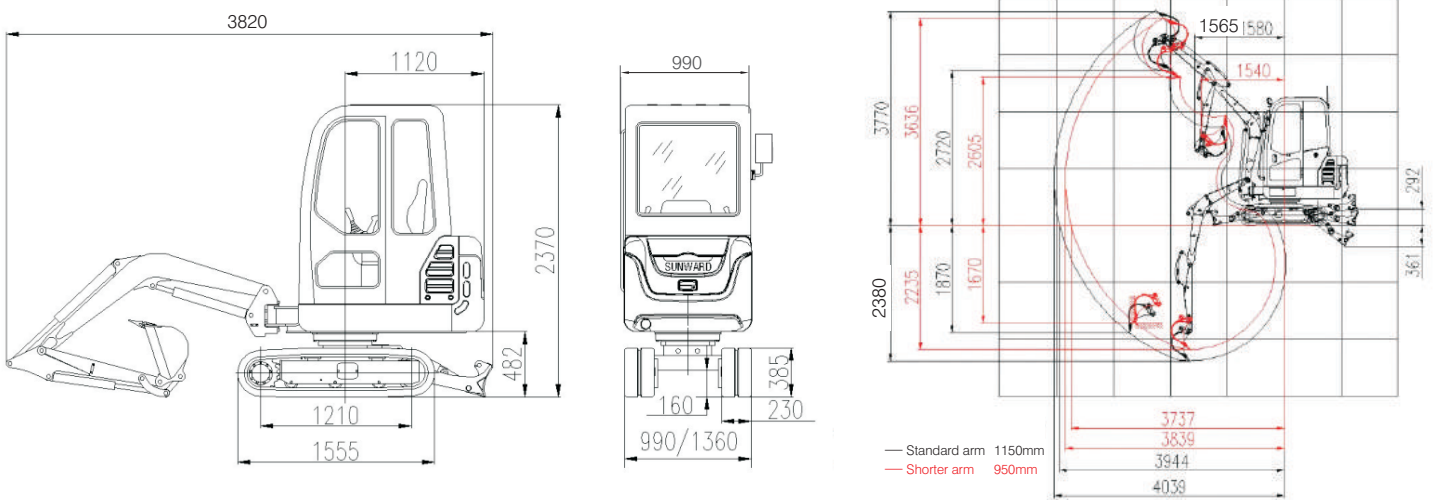
CAPACITY	
Fuel Tank	23L
Hydraulic Oil Tank	35L

BULLDOZING BOARD	
independent moving, controlled by the gear shift lever	
Length X Width	1360x267mm
Max. Lifting Height	295mm
Max. Cutting Depth	360mm

HYDRAULIC SYSTEM	
Main Pumps	
Type	2 variable displacement pumps, 1 gear pump
Displacement	2x21 + 15 L/min
Working Pressure	22.5/18 MPa

Excavator SWE 20B

Working Ranges



Load Capacity (standard arm: 1.15m)

A(m) \ B(m)	MAX		3.0m		2.5m		2.0m	
	Front(kg)	Side(kg)	Front(kg)	Side(kg)	Front(kg)	Sides(kg)	Front(kg)	Sides(kg)
2.5	260.00	220.00	—	—	220.00	220.00	—	—
2.0	260.00	180.00	250.00	210.00	240.00	240.00	—	—
1.0	280.00	150.00	310.00	200.00	360.00	270.00	470.00	380.00
0.0	300.00	160.00	360.00	190.00	470.00	250.00	670.00	350.00
-0.5	320.00	170.00	360.00	190.00	480.00	250.00	670.00	340.00
-1.0	330.00	200.00	—	—	440.00	250.00	620.00	340.00

Notes:

- 1) Load with * is limited by hydraulic capacity and based on ISO 10567. Rated loads do not exceed 87% of hydraulic capacity.
- 2) Load without * is limited by tipping load and based on ISO 10567. Rated loads do not exceed 75% of tipping load.

■ SUNWARD INTELLIGENT EQUIPMENT CO.,LTD.

Add: Sunward Intelligent Industrial Park, Xingsha, Changsha, 410100, China.

Tel: (0086-731) 83572 828 Fax: (0086-731) 83572 661

E-mail: international@sunward.com.cn

Web: www.sunward.com.cn

■ SUNWARD EUROPE HEAVY INDUSTRY NV

Add: Nijverheidspark 3, 3580 Beringen, Belgium

Tel: (0032-011) 434666

E-mail: eu@sunward.cc

